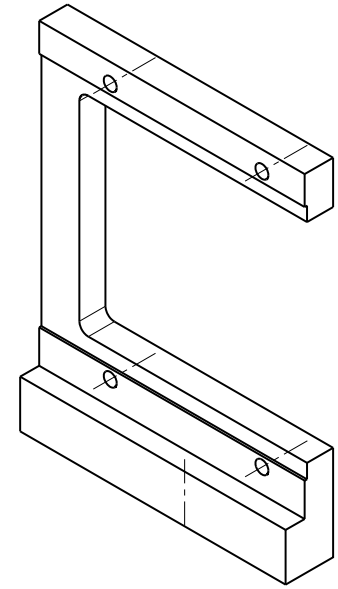
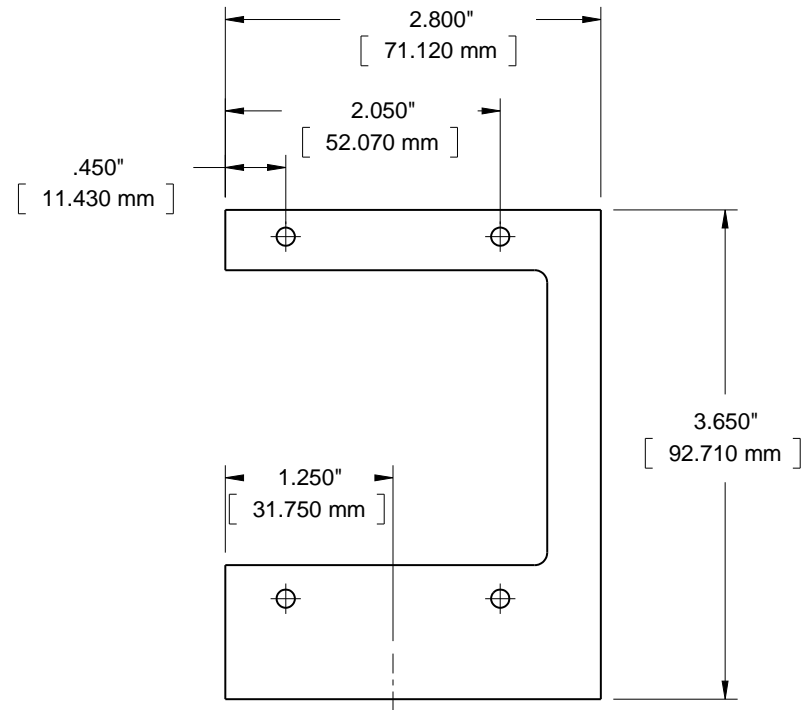
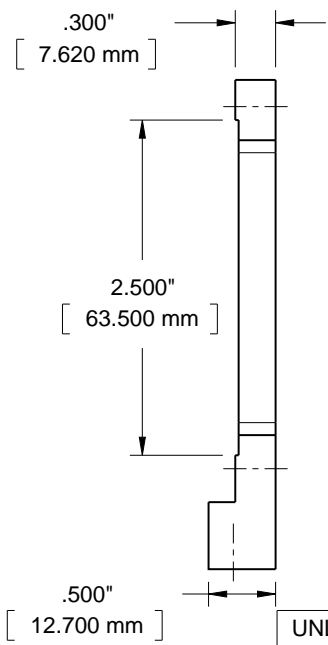
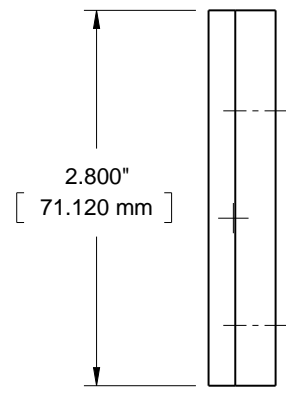




REVISIONS

ZONE	REV	DESCRIPTION	DATE	APPROVED
------	-----	-------------	------	----------



UNLESS OTHERWISE SPECIFIED  
DIMENSIONS ARE IN INCHES  
TOLERANCES:  
ANGLES  $\pm 1.0^\circ$   
DECIMALS  
x.x 0.1"  
x.xx 0.01"  
x.xxx 0.005"

DRAWN	DATE
ISSI	9.26.17
CHECKED	
QA	
MFG	
APPROVED	

<b>Optical Image Target Holder</b>			
Innovative Scientific Solutions, Inc. 7610 McEwen Dayton, OH 45459 Ph 937 630 3012			
SIZE	FSCM NO.	DWG NO.	REV
<b>A</b>		<b>EC-T-25</b>	
SCALE	SHEET		

