

High-Powered LEDs

Continuous 2-inch Water-Cooled LED

LM2XX-XXX, DC2XX

The continuous 2-inch, water-cooled LED is a high-power system for imaging applications including radiometric pressure and temperature sensitive paint measurements. The system provides a stable and uniform output and operates continuously or in pulse mode, with external control of pulse width and frequency via a TTL trigger input. The LED is operated via an umbilical cable by an external control box which contains a flow meter and water circulation system, drive electronics, power supply and safety circuit to shut off power if the LED approaches overheat temperatures. This LED requires an external water source.



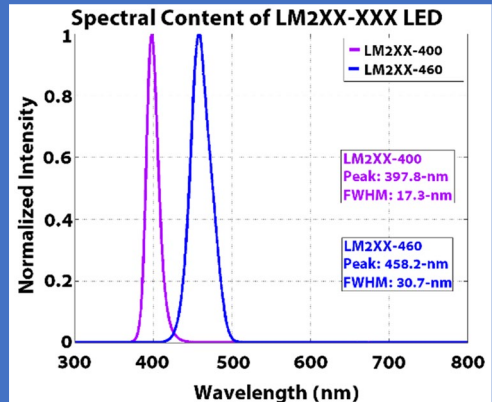
SPECIFICATIONS

AC Power	100-240 V, 50-60Hz, 2A
Output Power	12-14 W (optical)
Stability	~0.1 % per hour after warmup
Wavelength (Standard)	*400-nm, 460-nm
Operating Temperature	-10-60 °C
Rise Time (10% - 90%)	< 600 ns
Fall Time (90% - 10%)	< 300 ns
Duty Cycle	100%
FWHM	+/- 18-nm
ECCN	EAR99
Warranty	1 Year

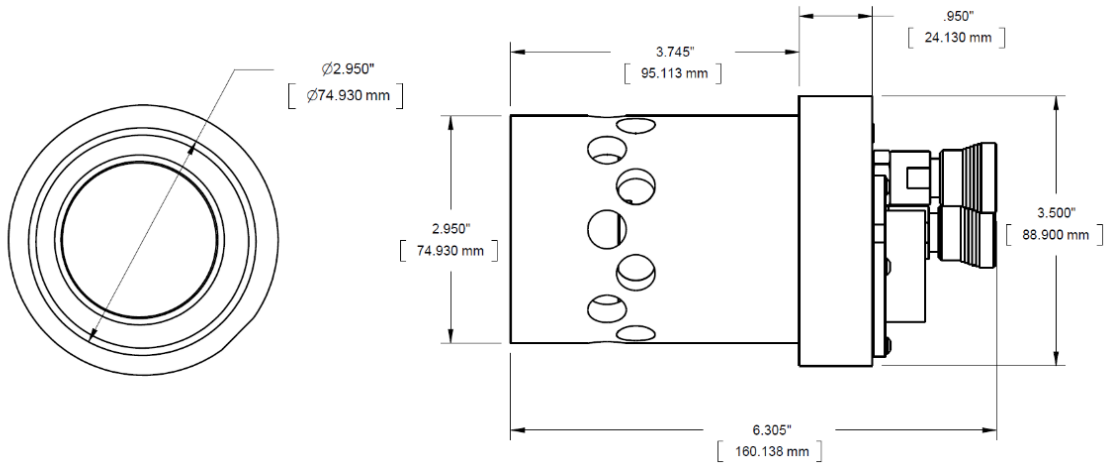
*Other wavelengths available upon request

FEATURES

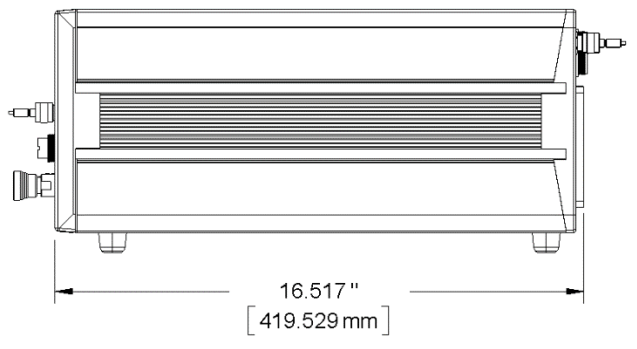
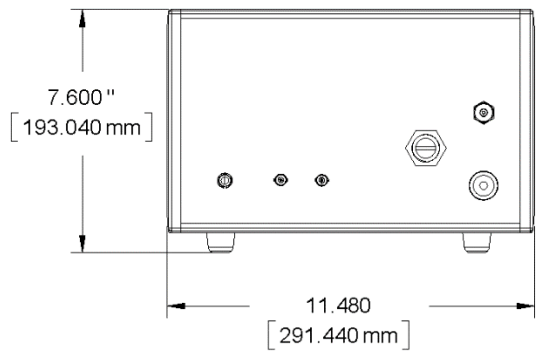
- High-power output
- Continuous or pulsed (TTL control) output
- Fast rise and fall times
- Stable output for long exposure
- Narrow band output
- Custom wavelength outputs available
- Easy installation using mounting clamp (optional)



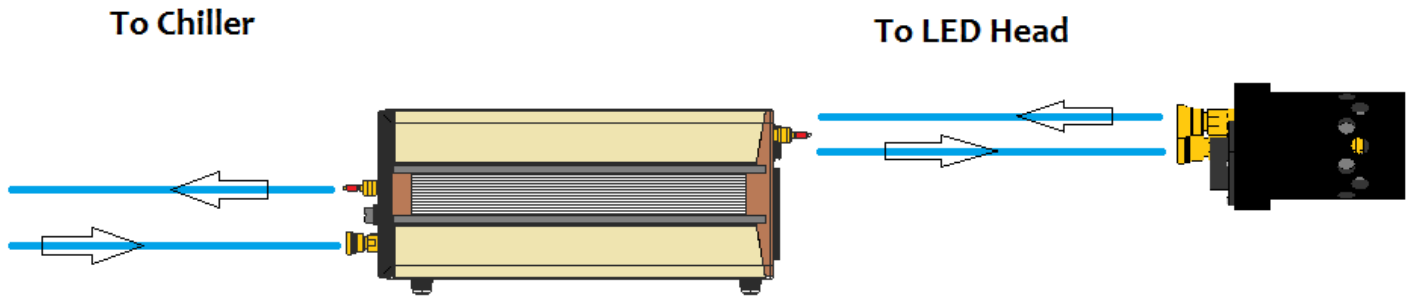
High-Powered LEDs



LM2XX- XXX LED Head



DC2XX Control Box



System Layout