

4

3

2

1

REVISIONS				
ZONE	REV	DESCRIPTION	DATE	APPROVED

D

D

C

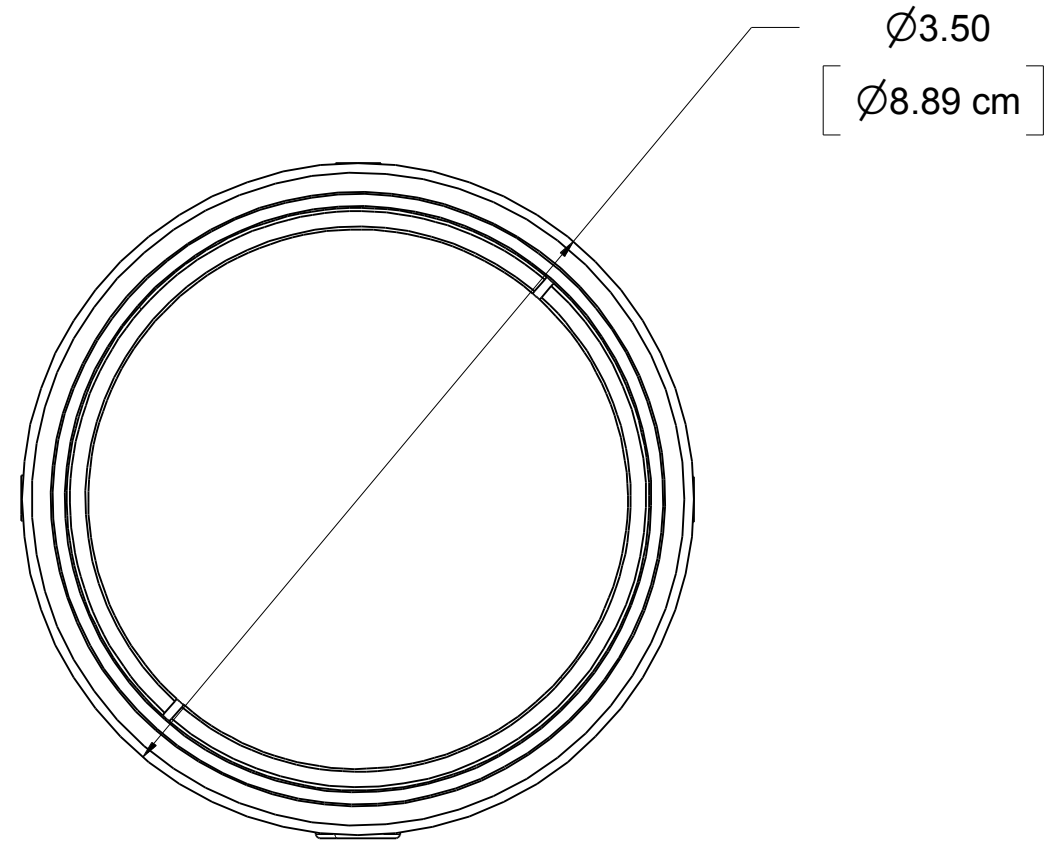
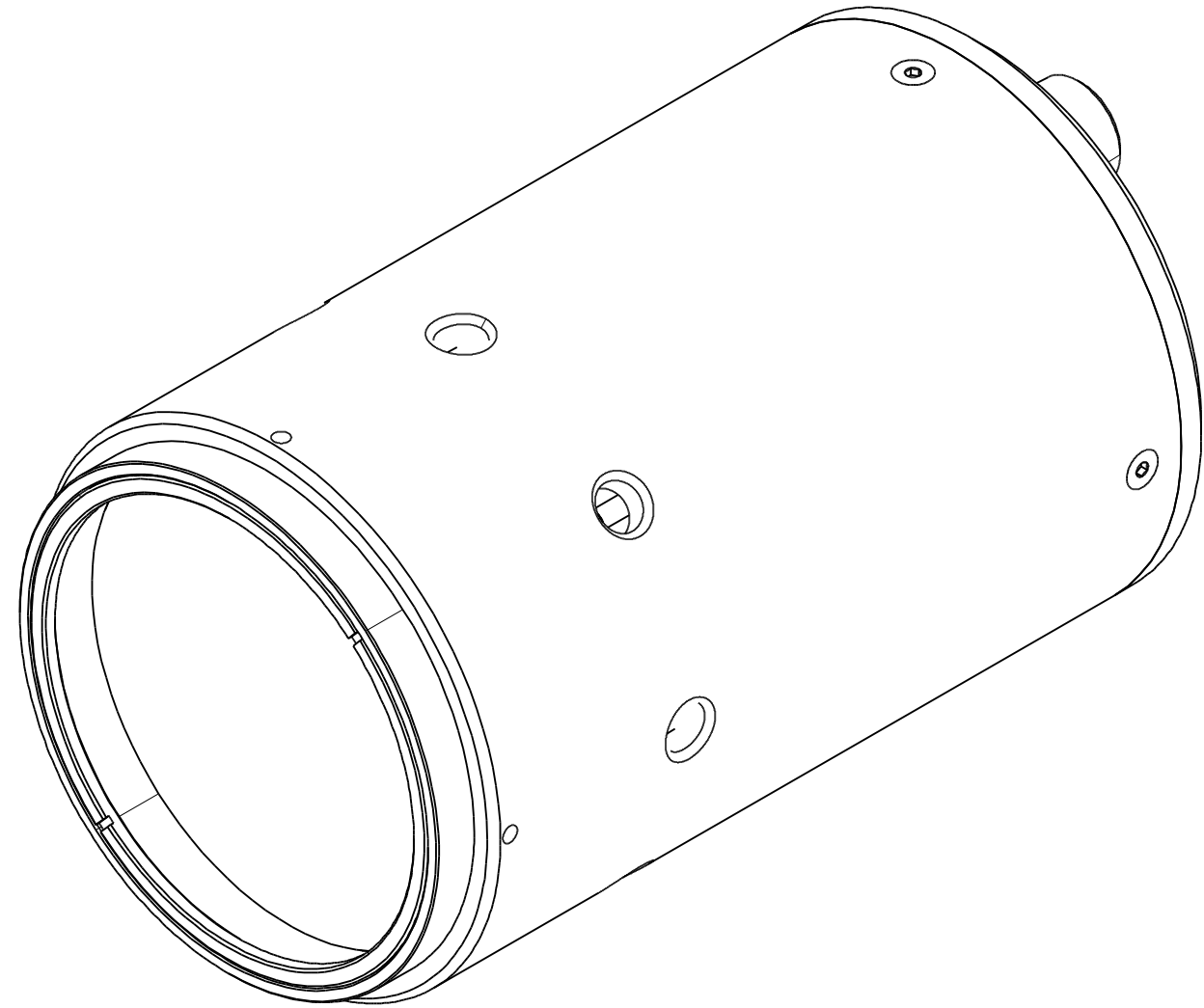
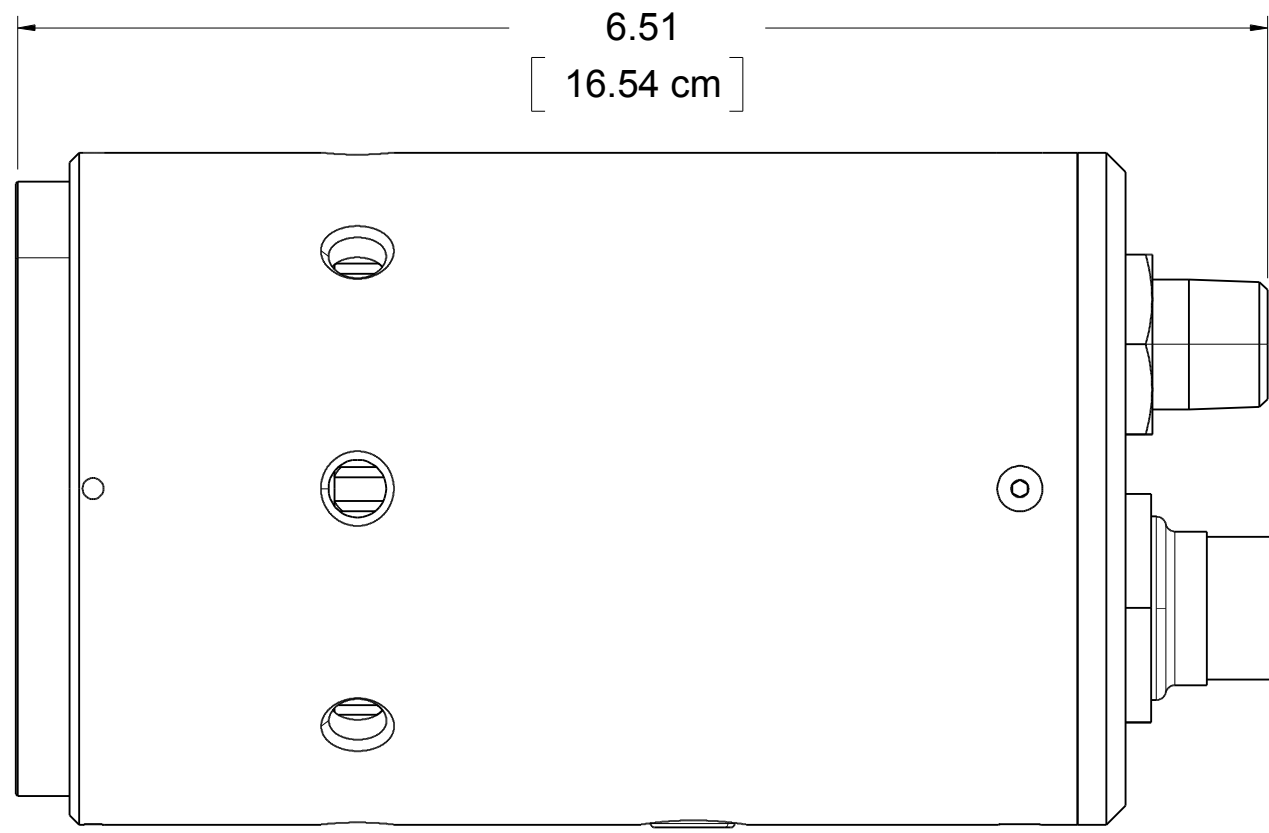
C

B

B

A

A



	DRAWN E. Graham	DATE 3/1/18				
	CHECKED					
	QA					
	MFG		SIZE C	FSCM NO.	DWG NO. LM3X LED Head	REV
	APPROVED		SCALE 1:1		SHEET 1 OF 1	

4

3

2

1