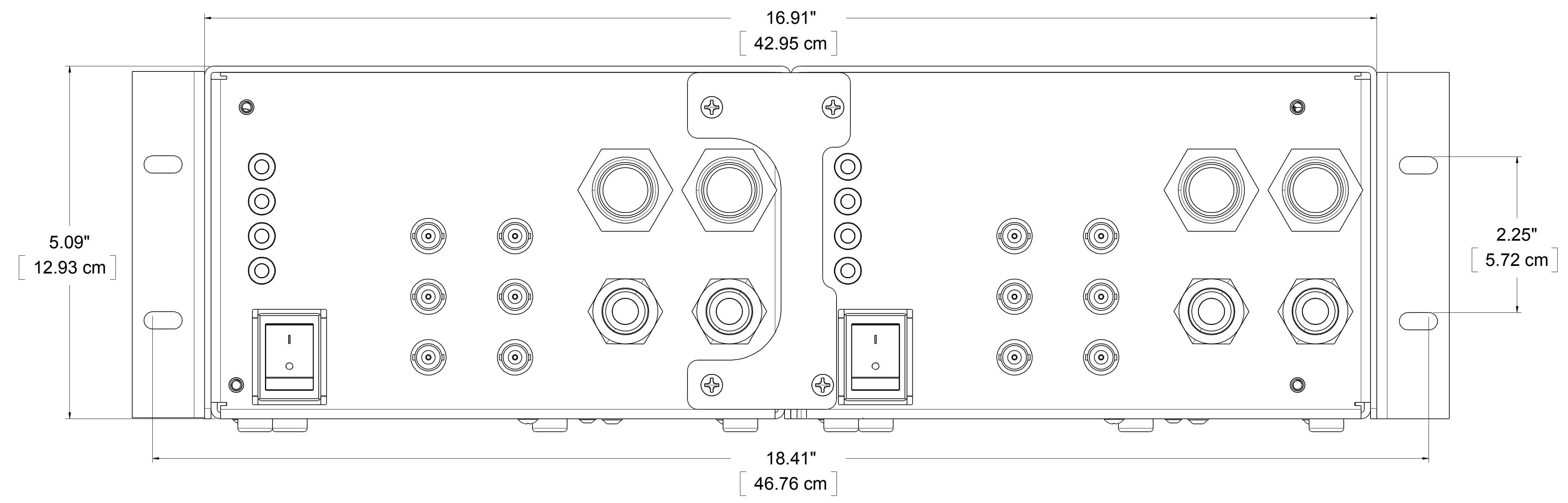


REVISIONS				
ZONE	REV	DESCRIPTION	DATE	APPROVED



	DRAWN	E. Graham	DATE	2/28/18
	CHECKED			
	QA			
	MFG			
APPROVED				
SIZE	D	FSCM NO.	DC3X-2	DWG NO.
SCALE	1:1			REV
				SHEET 1 OF 4

8 7 6 5 4 3 2 1

REVISIONS			
ZONE	REV	DESCRIPTION	APPROVED

D

D

C

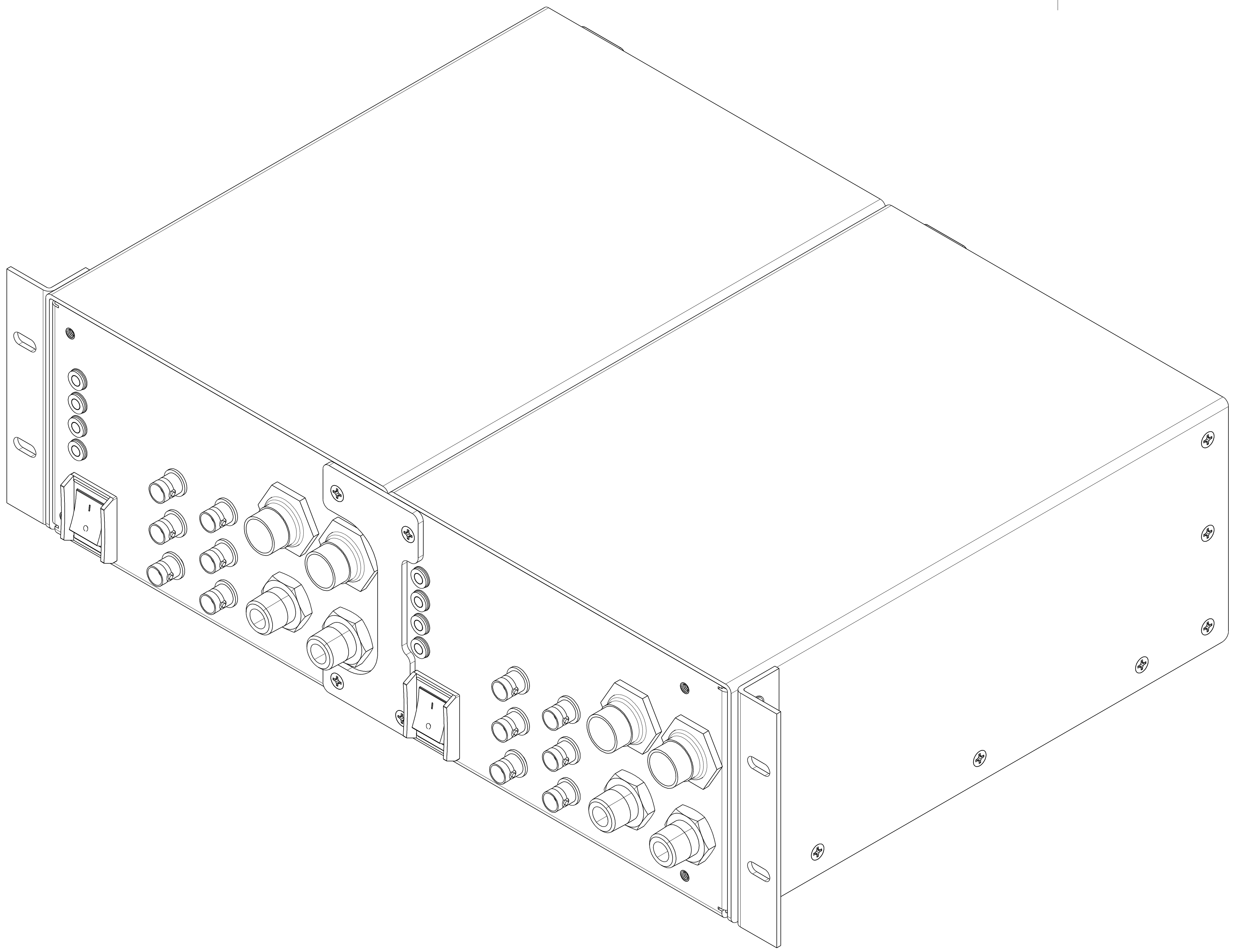
C

B

B

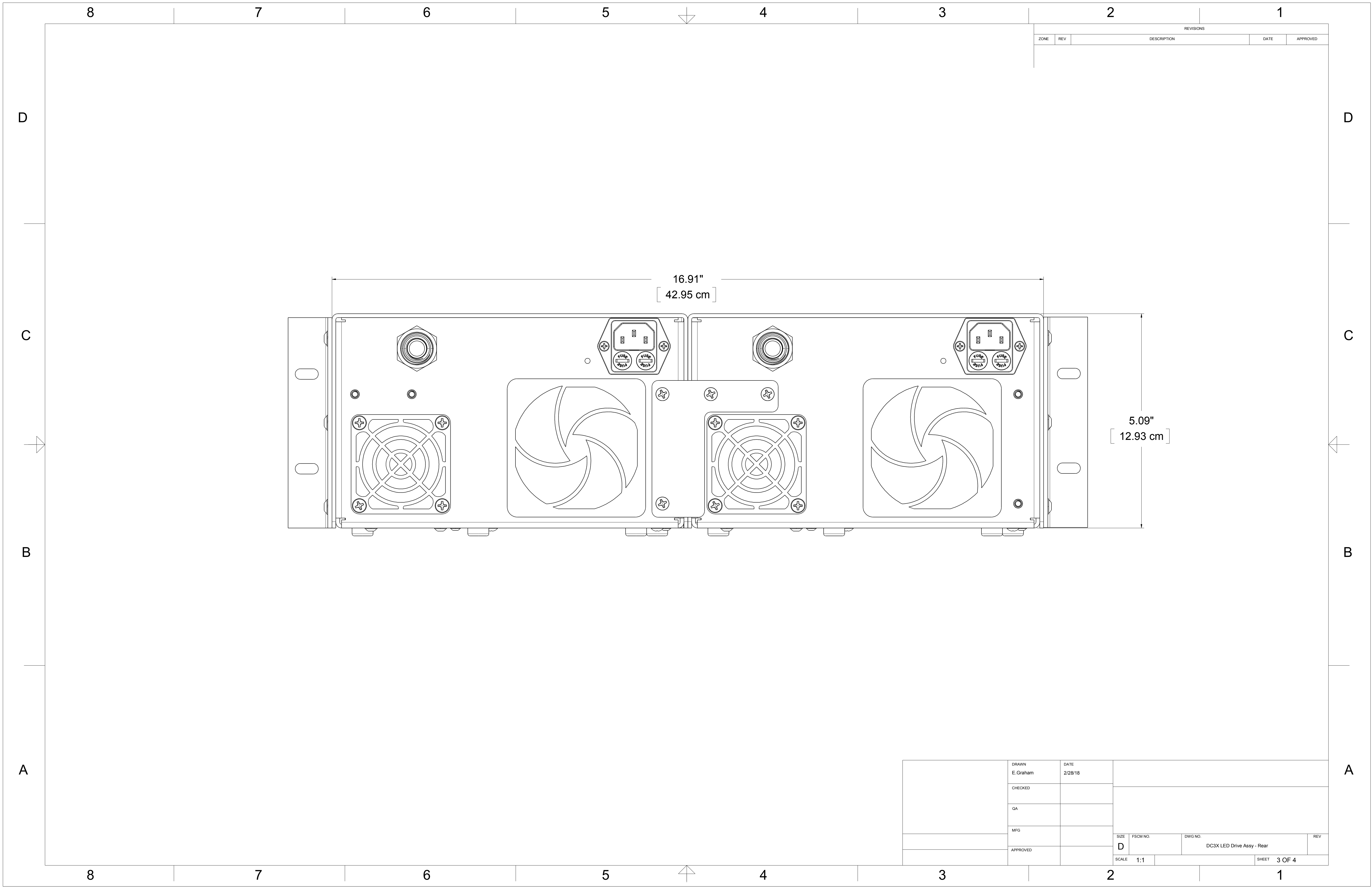
A

A



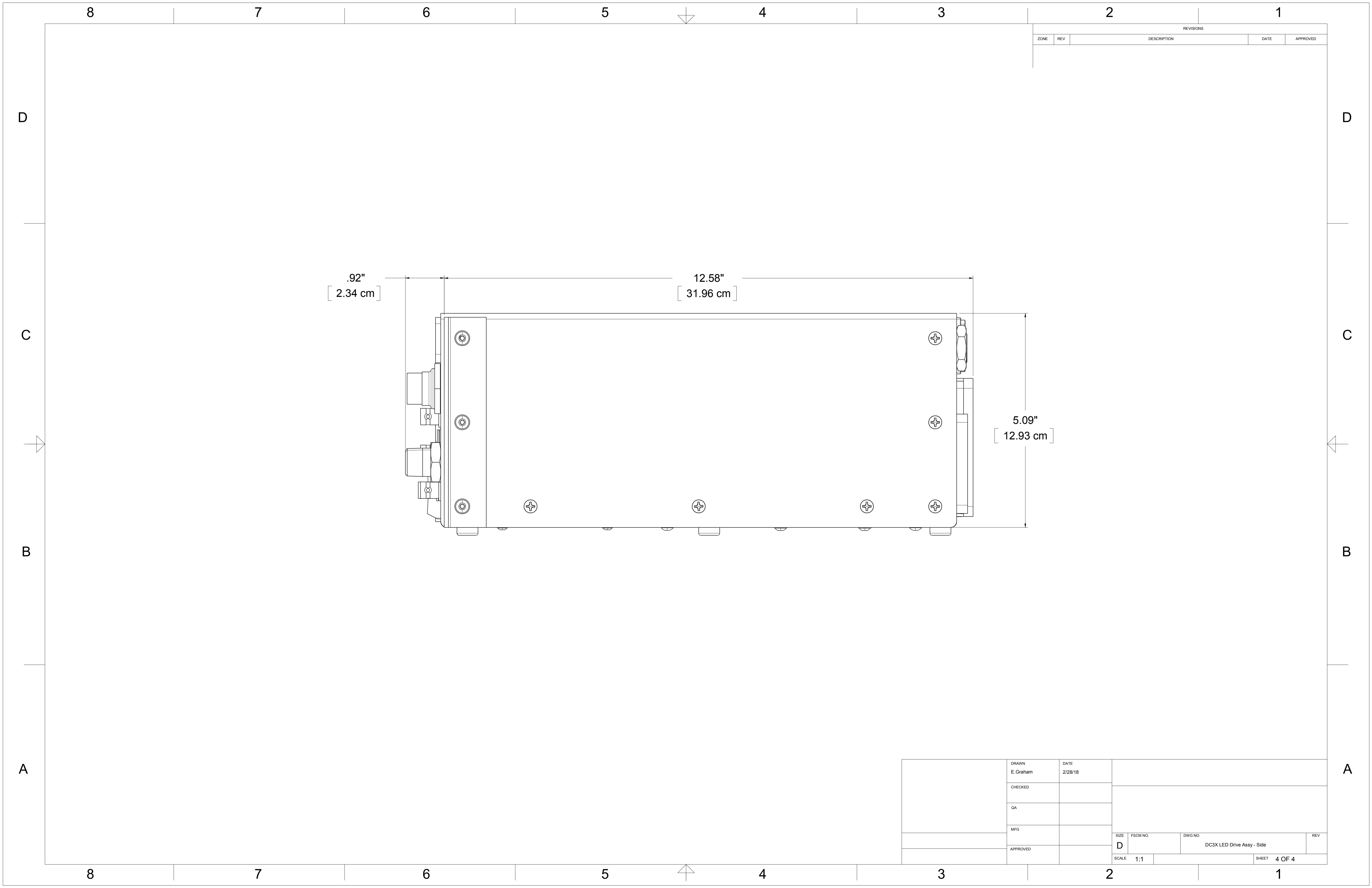
	DRAWN E. Graham	DATE 2/28/18	
	CHECKED		
	QA		
	MFG		
	APPROVED		
	SIZE D	FSCM NO.	DWG NO. DC3X Rack Mount 2x ISO
	SCALE 1:1		REV
		SHEET	2 OF 4

8 7 6 5 4 3 2 1

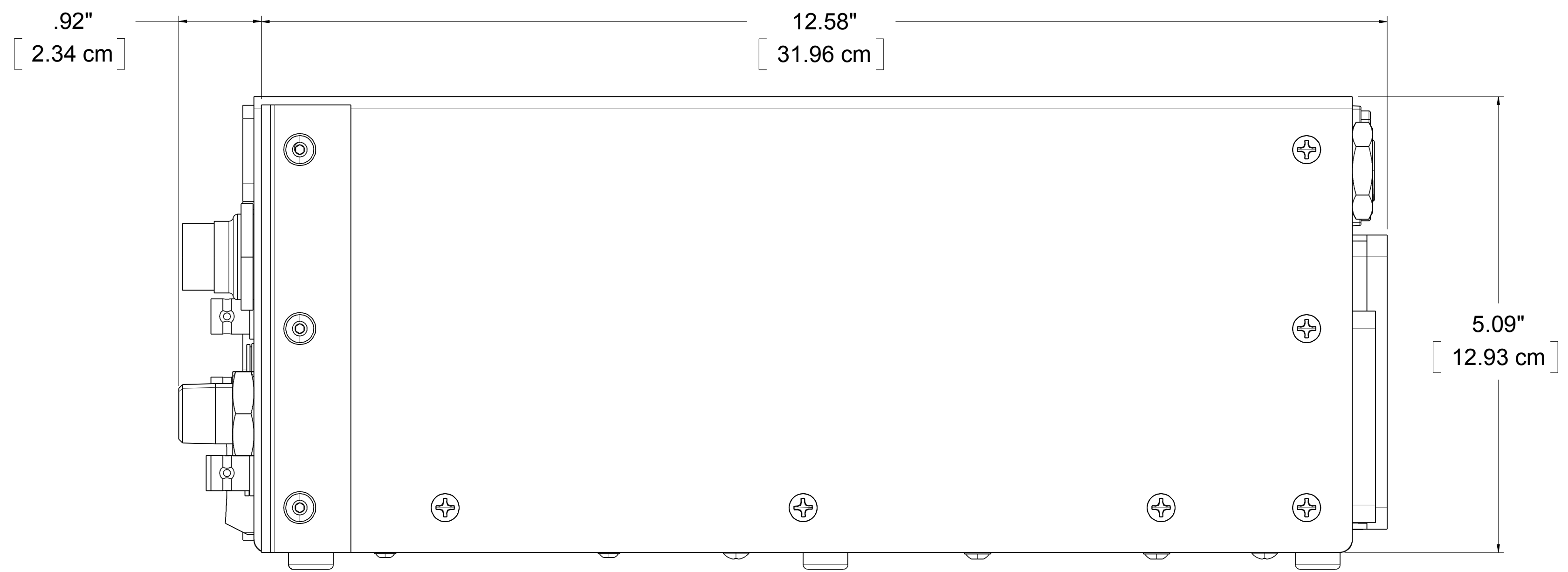


REVISIONS				
ZONE	REV	DESCRIPTION	DATE	APPROVED

	DRAWN E. Graham	DATE 2/28/18		
	CHECKED			
	QA			
	MFG			
	APPROVED			
	SIZE D	FSCM NO.	DWG NO. DC3X LED Drive Assy - Rear	REV
	SCALE 1:1			SHEET 3 OF 4



REVISIONS				
ZONE	REV	DESCRIPTION	DATE	APPROVED



.92"
[2.34 cm]

12.58"
[31.96 cm]

5.09"
[12.93 cm]

	DRAWN E. Graham	DATE 2/28/18		
	CHECKED			
	QA			
	MFG			
	APPROVED			
SIZE D	FSCM NO.	DWG NO. DC3X LED Drive Assy - Side	REV	
SCALE 1:1	SHEET 4 OF 4			