

3-inch Vortex-Cooled LED Light Source

(Product ID: LM3X-XXX, DC3X)

The LM3X is a high-power, air-cooled, rack-mountable, 3-inch LED light source that provides uniform, stable illumination for pressure and Temperature Sensitive paint measurements. The unit offers a significant increase in power over the previous generation products (~2 times that of a single LM2XX head) without the need for water. Its small form factor and large optical power density make it a class leading solution for large scale testing and installations. The LM3X has been designed to operate safely in a pulsed or continuous DC operation. It requires no external chiller, only standard shop air for operation.

Output Power	30 W Total (15 W x 2)	(~2 times that of single LM2XX head)
Control	Full Control and Feedback of Common Functions	Robust TTL Interface
Convenience	Rack Mountable	(2) LM3x Units Mount Side-by-Side in 3U 19" Rack Space
Versatility	Multi-Mode Operation	Pulsed or Continuous DC



The DC3X control box can operate and cool 2 LM3X LED modules via umbilical which deliver power and cooled air. The control box is rack mountable with the included rack ears.



DC3X Control Box



LM3X-XXX LED Head

SPECIFICATIONS

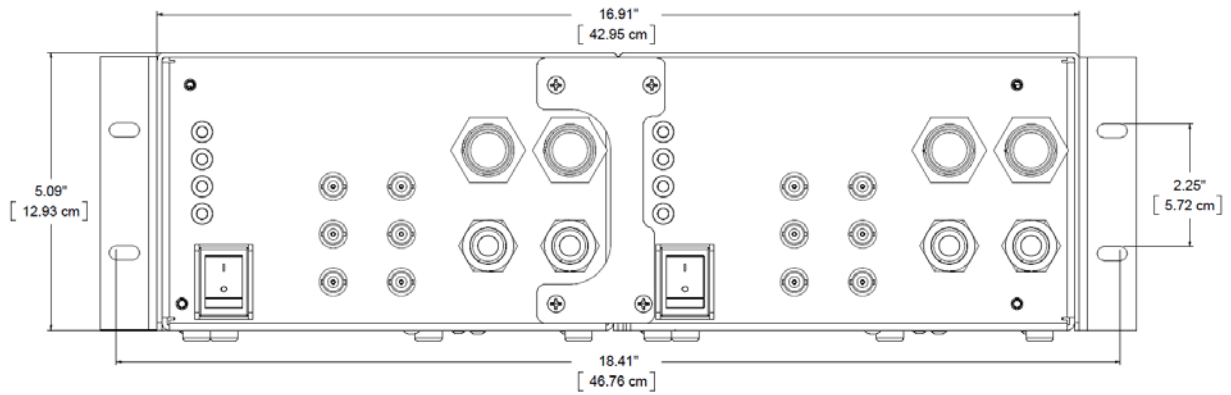
Input Power	100-240 V, 50-60Hz, 8.2A
Optical Output Power	18 W per Emitter (36 W Total per system)
Wavelengths	400-, 460-nm (standard)
Operating Temperature	2-50 °C
Required Supply Air	60 scfm (1,700 lpm) @ 90 psi (Dry)
Air Inlet	½" NPT male connector
Noise Level	82 dB
Length x Width x Height (Drive Assembly)	8.4" x 12.5" x 5.5" (213 mm x 317 mm x 139 mm)
Weight (Drive Assembly)	12.5 lbs.
Rack Height	3U
Length (LED Emitter)	6.5"
Diameter (LED Emitter)	3.5"
Weight (LED Emitter)	2.5 lbs.
Umbilical Length	10 ft. (standard)

Innovative Scientific Solutions, Inc.
7610 McEwen Road, Dayton, OH 45459
Phone (937) 630-3012, Fax (937) 630-3015

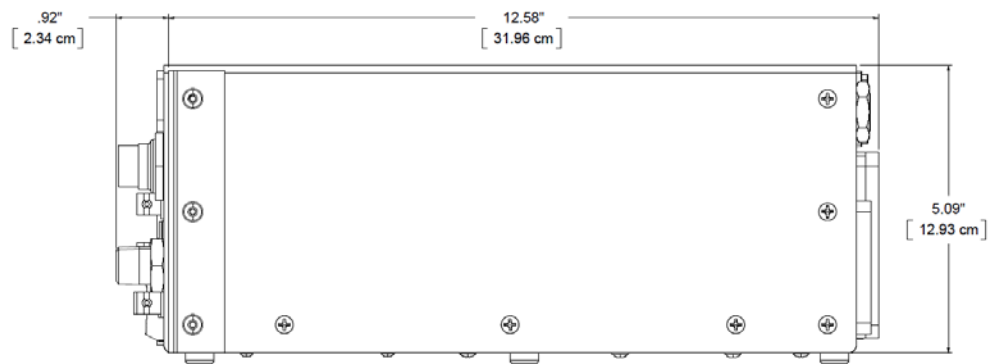
email: issi-sales@innssi.com
web: www.innssi.com

Any and all underlying information and technology contained in this document may be subject to U.S. export controls, including the Export Administration Act (50 U.S.C. 56 §§ 4601-4623) and the Export Administration Regulations ("EAR", 15 CFR Parts 730-774) and may be subject to export or import regulations in other countries. You are responsible for complying with all trade regulations and laws both foreign and domestic. Except as authorized by law or distributor agreement with ISSI, you agree and warrant not to export or re-export this information to any country, or to any person, entity, or end-user subject to U.S. export controls, including without limitation persons or entities listed on the U.S. Department of Commerce Bureau of Industry and Security's Entity List, Denied Person List, and Unverified List and the U.S. Department of Treasury's Specially Designated Nationals. You further represent and warrant that no U.S. federal agency has suspended, revoked, or denied your export privileges.

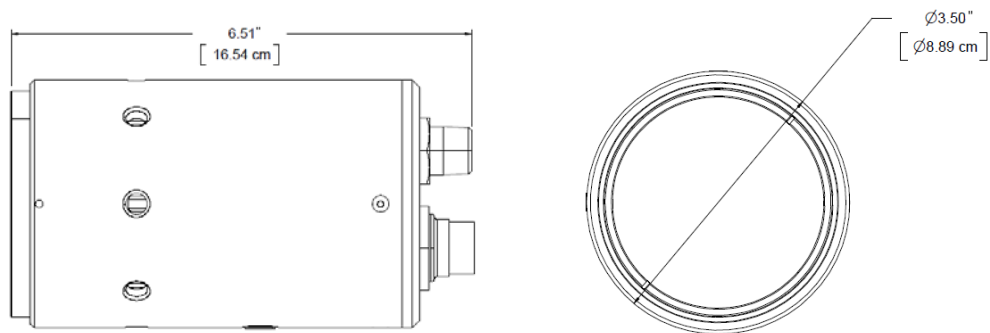
Drawings



Dual DC3X Control Box with Rack Mounting



DC3X Control Box Profile



LM3X Head