

Schlieren & Shadowgraph Imaging

Schlieren LED Light Source

LMS-XXX

The LMS-XXX is a 2-inch, air-cooled LED light source used for schlieren and shadowgraph applications. The LMS-XXX can operate in continuous (DC) or pulsed mode.

The LMS-XXX features a variable width slit to adjust the amount of output light from the module. Power supply and carrying case are included with the LED. The wavelength of the LMS-XXX is user defined and based on available LED wavelengths. XXX denotes wavelength in nanometers.



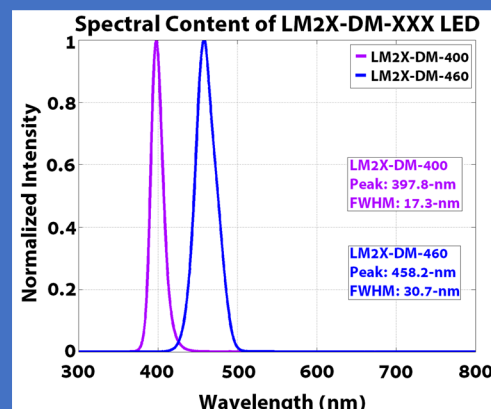
SPECIFICATIONS

AC Power Input (Using Supplied Wall Adapter)	100-240 V, 50-60Hz
DC Input	24VDC, 6.6A
Output Power	~1.5 W (DC) (Optical)
Stability	~0.1 % per hour after warmup
Wavelength (Standard)	*400-nm, 460-nm
Operating Temperature	-10-60 °C
Rise Time	< 900-ns
Fall Time	< 900-ns
Duty Cycle	100% (DC)
FWHM	+/- 18-nm
ECCN	EAR99

*Other wavelengths available upon request (532-, 620-, 665-nm)

FEATURES

- High-power LED output
- Continuous or pulsed (TTL control) output
- Sub-microsecond rise and fall times
- Stable output for long exposure
- Narrow band output
- Custom wavelength outputs available
- Variable width slit attachment
- Easy installation using mounting clamp (optional)

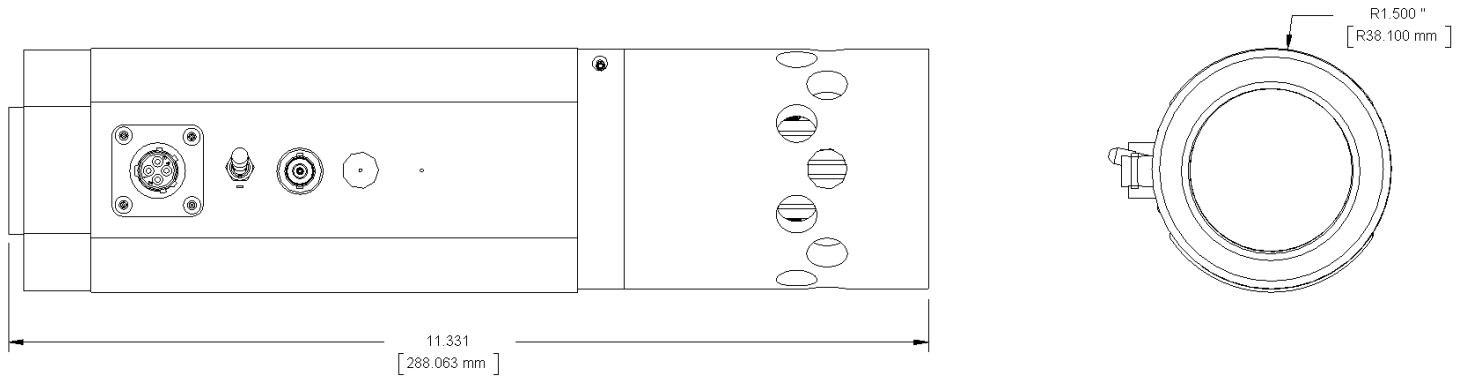
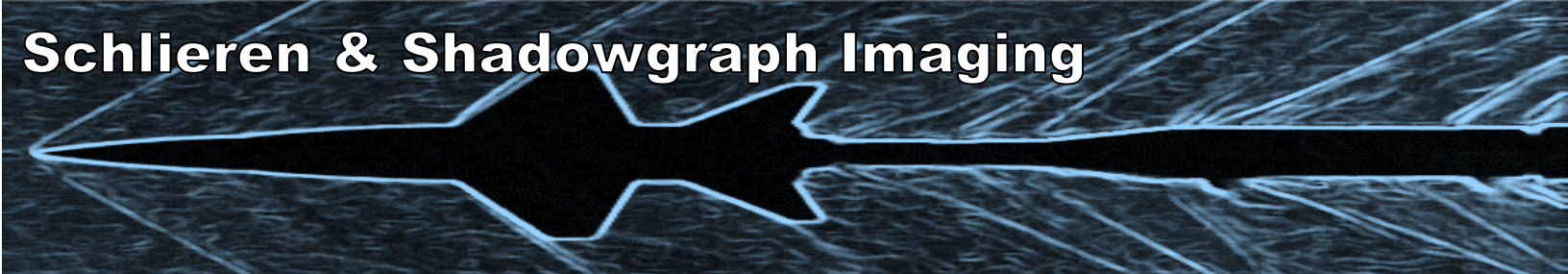


ISSI
INNOVATIVE SCIENTIFIC SOLUTIONS, INC

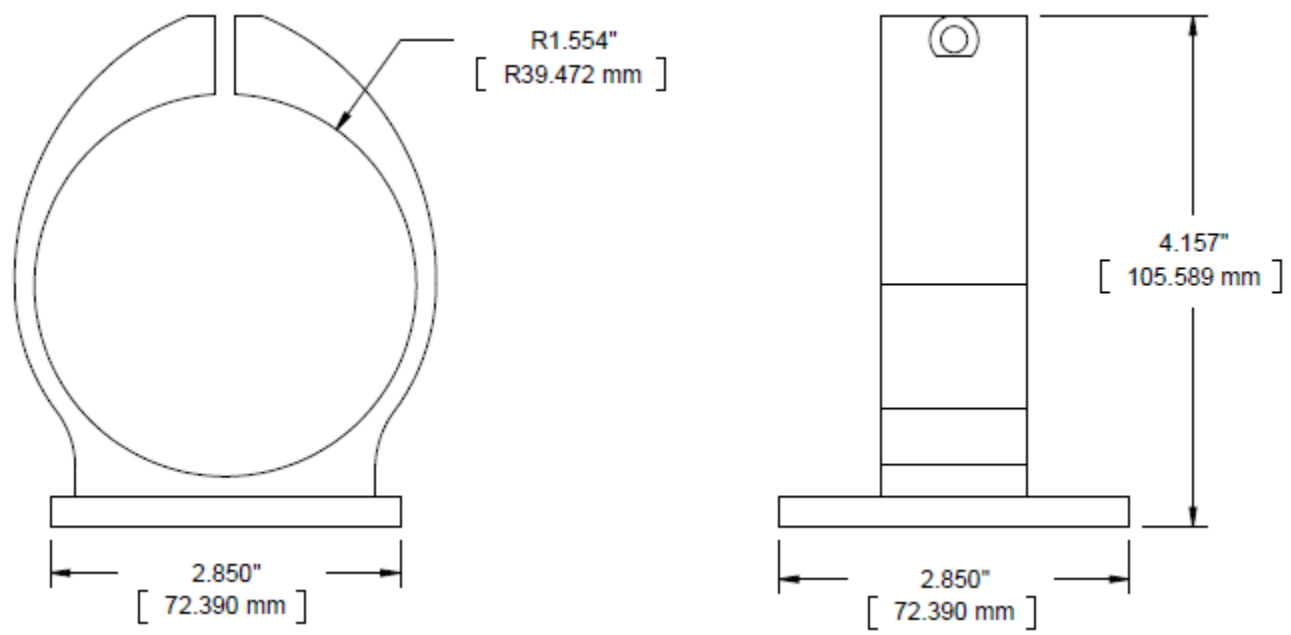


SCAN ME

Schlieren & Shadowgraph Imaging



LM2X-DM-XXX



LM2X-CL Clamp (Available Option)