

High-Powered LEDs

Continuous 2-inch Air-Cooled LED

LM2X-DM-XXX

The continuous 2-inch, air-cooled LED light source provides uniform, stable illumination, for pressure and temperature sensitive paint measurements. It can operate continuously (DC) or in a long-pulsed mode. The operation mode is set using an external toggle switch. In long-pulsed mode, the pulse width and frequency are set by sending an external TTL signal to the BNC trigger input. The duty cycle may be set from 0% to 100%. The light distribution from the unit is approximately Gaussian for distance greater than 18-inches [45-cm] from the source.



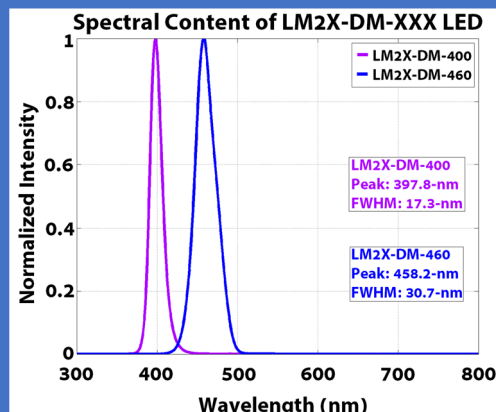
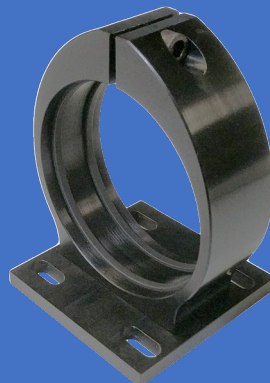
SPECIFICATIONS

| | |
|----------------------------------------------|------------------------------|
| AC Power Input (Using Supplied Wall Adapter) | 100-240 V, 50-60Hz |
| DC Input | 48VDC, 2.5A |
| Output Power | 4-5 W (optical) |
| Stability | ~0.1 % per hour after warmup |
| Wavelength (Standard) | *400-nm, 460-nm |
| Operating Temperature | -10-80 °C |
| Rise Time | < 5 μs |
| Fall Time | ~ 250 μs |
| Duty Cycle | 100% |
| FWHM | +/- 18-nm |
| ECCN | EAR99 |

*Other wavelengths available upon request

FEATURES

- High-power LED output
- Continuous or pulsed (TTL control) output
- Fast rise and fall times
- Stable output for long exposure
- Narrow band output
- Custom wavelength outputs available
- Easy installation using mounting clamp (optional)

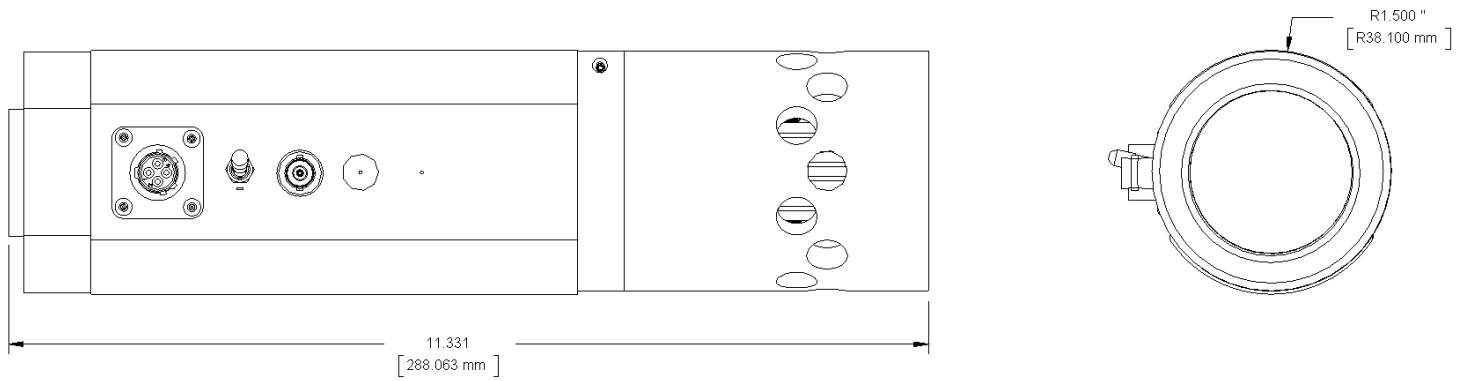


ISSI
INNOVATIVE SCIENTIFIC SOLUTIONS, INC

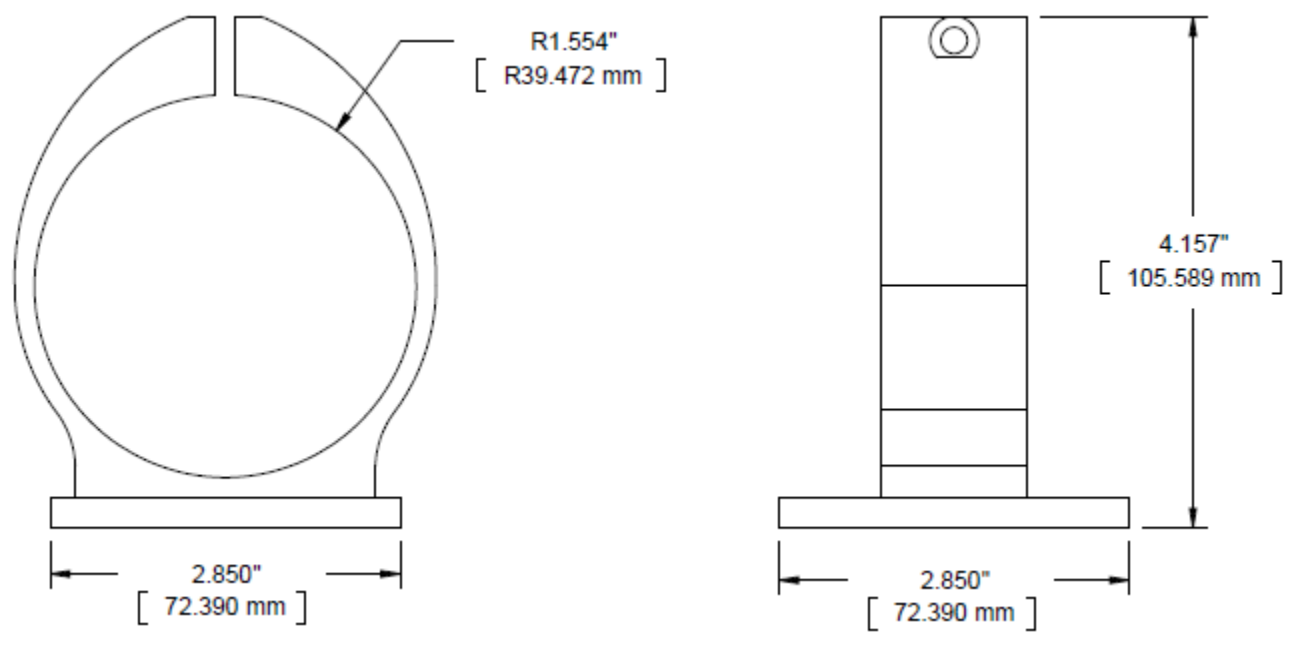


SCAN ME

High-Powered LEDs



LM2X-DM-XXX



LM2X-CL Clamp (Available Option)