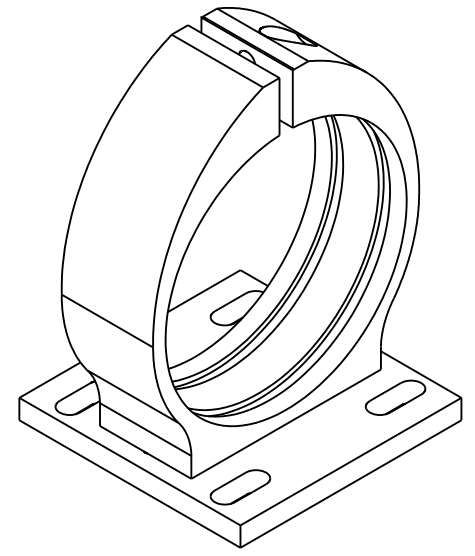
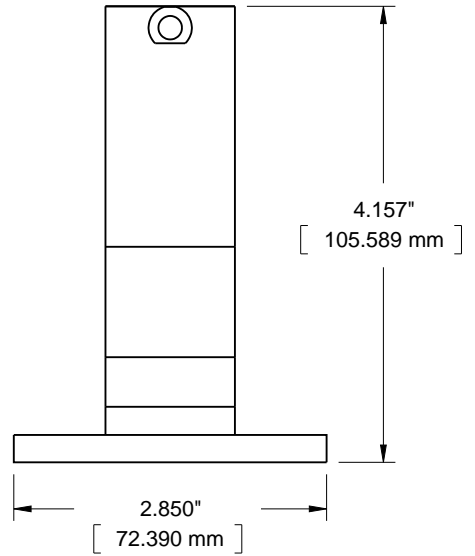
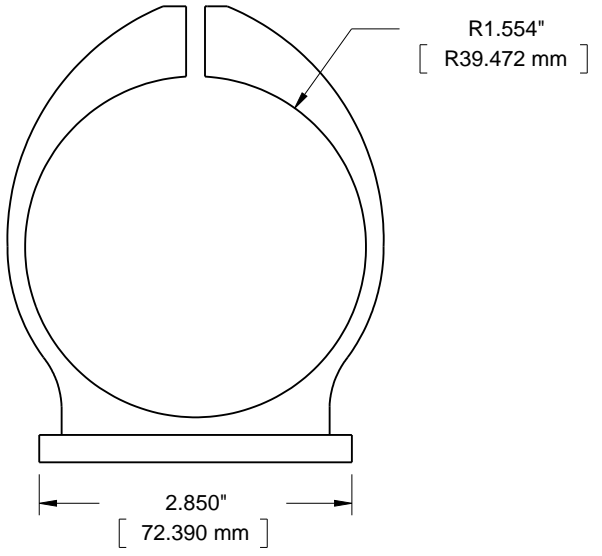
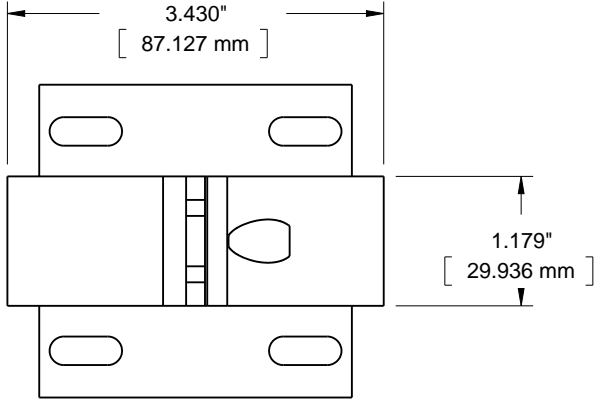




REVISIONS

ZONE	REV	DESCRIPTION	DATE	APPROVED
------	-----	-------------	------	----------



UNLESS OTHERWISE SPECIFIED  
DIMENSIONS ARE IN INCHES  
TOLERANCES:  
ANGLES ± +/- 1.0°  
DECIMALS  
X.X 0.1"  
X.XX 0.01"  
X.XXX 0.005"

DRAWN	B. Sarka	DATE	5.17.19
CHECKED			
QA			
MFG			
APPROVED			

# Clamp mount for LM2 Series LEDs

Innovative Scientific Solutions, Inc.  
7610 McEwen Road  
Dayton, OH 45459  
Ph: (937) 630-3012  
<https://innssi.com>

SIZE	FSCM NO.	DWG NO.	REV
A		LM2X-CL	
SCALE 1:1.75		SHEET	

