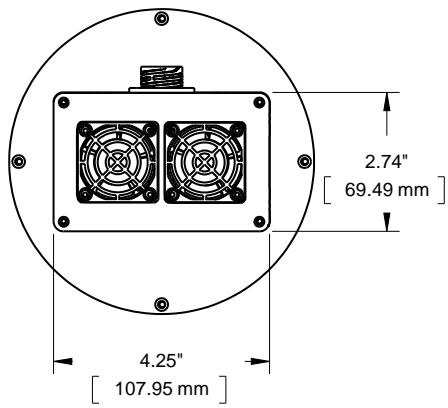
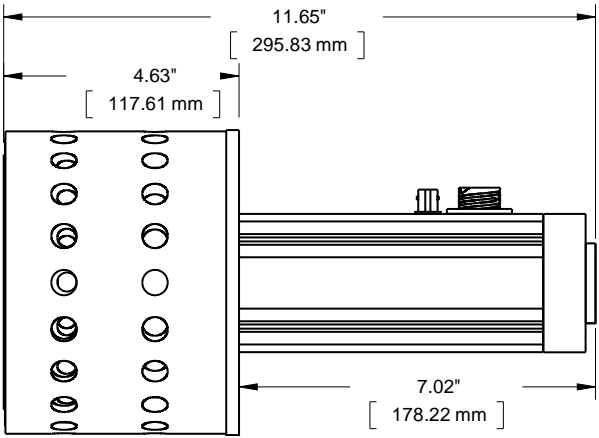
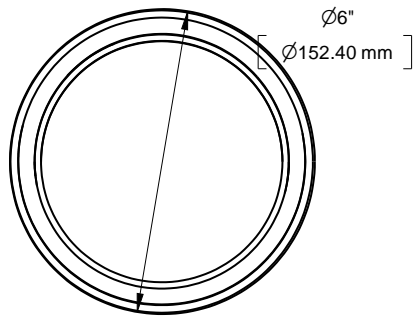
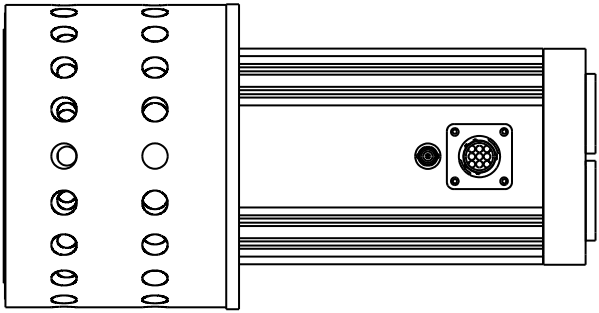


| REVISIONS |     |             |      |          |
|-----------|-----|-------------|------|----------|
| ZONE      | REV | DESCRIPTION | DATE | APPROVED |



|  |                 |                 |                          |          |   |  |
|--|-----------------|-----------------|--------------------------|----------|---|--|
| UNLESS OTHERWISE SPECIFIED<br>DIMENSIONS ARE IN INCHES<br>TOLERANCES:<br>ANGLES ± 1.0°<br>x.x 0.1"<br>x.xx 0.01"<br>x.xxx 0.005" | DRAWN<br>BSarka | DATE<br>4/29/14 | <b>LM4x LED Assembly</b> |          |   |  |
|  | CHECKED         |                 |                          |          | Innovative Scientific Solutions, Inc.<br>7610 McEwen<br>Dayton, OH 45459<br>Ph 937 630 3012 |  |
|  | QA              |                 | SIZE<br><b>B</b>         | FSCM NO. |   |  |
|  | MAT'L<br>n/a    | APPROVED        |                          | SCALE    | SHEET   |  |