

High-Powered LEDs

4-inch Air-Cooled LED

LM4X-DM-***

The 4-inch, air-cooled LEDs offer uniform, stable illumination with excellent output power. The unit operates continuously or in pulsed mode, designed for radiometric and lifetime systems using the continuous/pulsed driver. The operation mode is set using an external toggle switch. In pulsed mode, the pulse width and frequency are set by sending an external TTL signal to the BNC trigger input. The 4-inch LED offers a 5X increase in power over the continuous 2-inch, air-cooled LED, 5X faster rise and fall times for pulsed operation, and increased temperature range of operation. An optional dual power supply can also be used to operate dual LEDs.



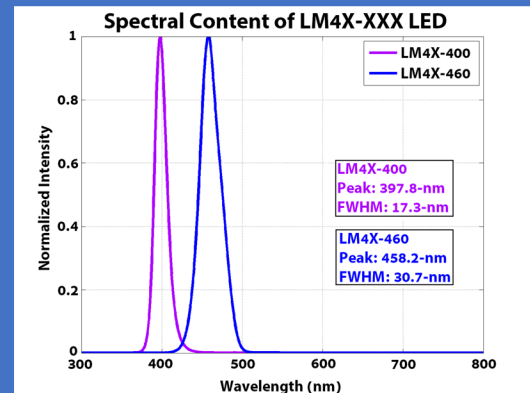
SPECIFICATIONS

AC Power Input	100-240 V, 50-60Hz
DC Input	31V \pm 8A
Output Power	25 W (optical)
Stability	-0.2 % per hour after warmup
Wavelength (Standard)	*400-nm, 460-nm
Operating Temperature	-10-60 °C
Rise Time (10% - 90%)	< 100 μ s
Fall Time (90% - 10%)	< 100 μ s
Duty Cycle	100%
FWHM	+/- 18-nm
ECCN	EAR99

*Other wavelengths available upon request

FEATURES

- High-power output
- Continuous or pulsed (TTL control) output
- Fast rise and fall times
- Stable output for long exposure
- Narrow band output
- Custom wavelength outputs available
- Dual power supply for operation of 2 LEDs

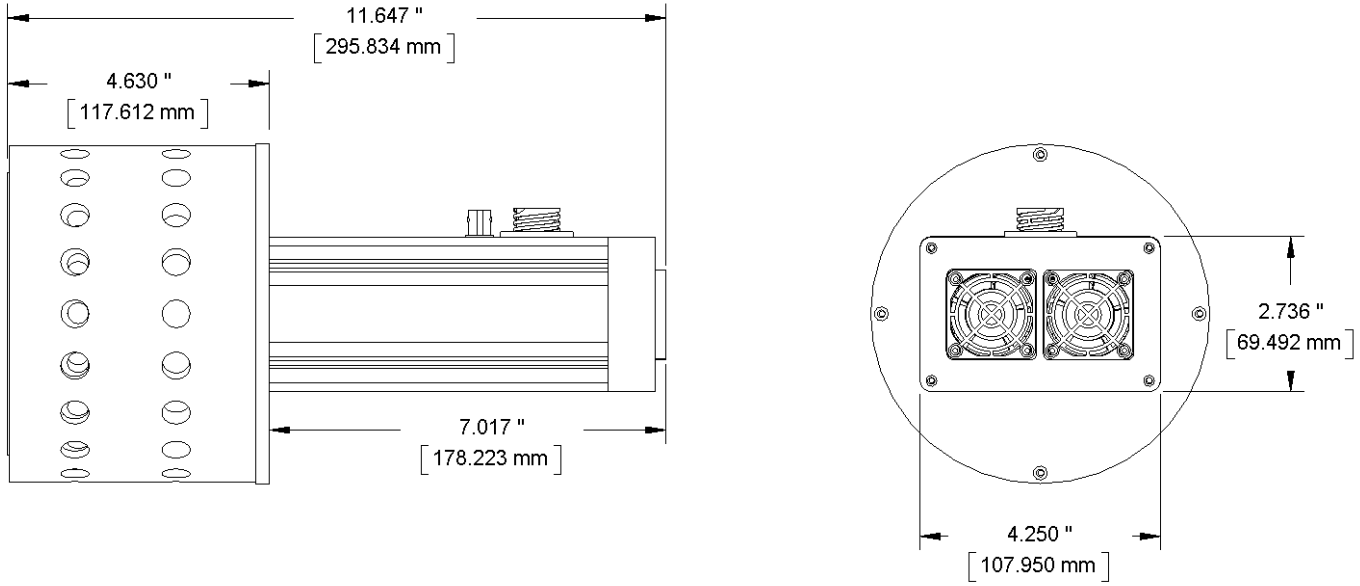


ISSI
INNOVATIVE SCIENTIFIC SOLUTIONS, INC

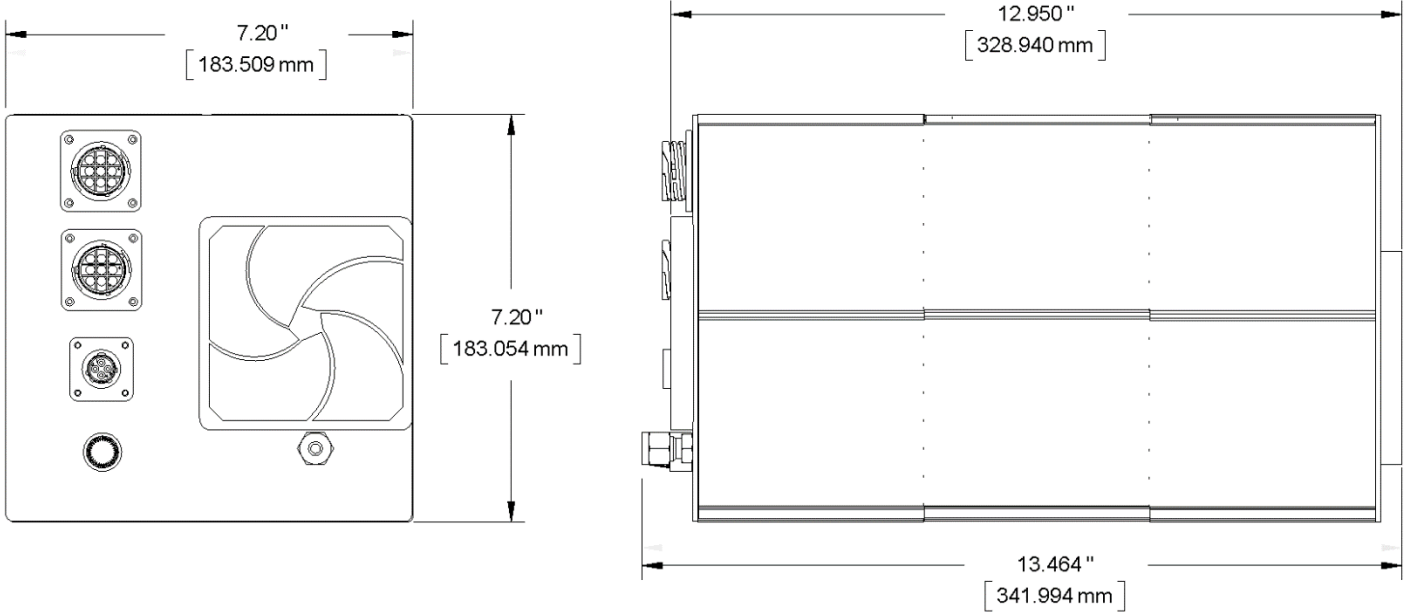


SCAN ME

High-Powered LEDs



LM4X-DM-XXX LED Module



LM4X-DPS Dual Power Supply Unit