

Manifold Molecular Iodine Cells

(Product ID: I2M-5, I2M-10)

To create a sealed starved cell with a flexible set point, a glass cell with an attached cold-finger and vacuum port is constructed. The vacuum port and cold-finger include stopcocks. The cell is evacuated and cold-finger filled with Iodine is brought to the desired vapor pressure (cold-finger operating temperature). The stem between the cold-finger and cell is then closed by closing the stopcock, isolating the Iodine in the cell body and fixing the number density. The cell is then operated 10-20 °C above the cold-finger set temperature and the Iodine in the cell is a super-heated vapor with a set number density. The result is a molecular cell with a very stable absorption spectra.

Iodine-vapor cells with a manifold are 3-in.-dia, 5-in.-long or 10-in.-long Pyrex cells. Standard cells are manufactured with 1/4 grams of iodine (actual pressure determined by temperature of water cooling jacket at the time of operation). The cells feature an integrated Type T thermocouple and rugged aluminum housing. These cells are manufactured with a prescribed iodine partial pressure (specified by user at time of order). In addition, transitions can be pressure broadened with buffer gas supplied by user through a fill-port.

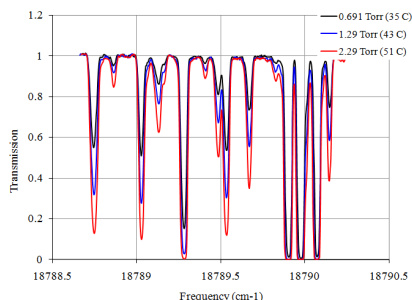
This unit is specifically rated for 120VAC, 60Hz power.



Packaged I2M-10 with thermocouples and heater

SPECIFICATIONS FOR I2M-5 AND I2M-10

Length	125-mm or 250-mm
Diameter	76-mm
Housing	Anodized Aluminum
Mounting	¼"-20
Maximum Operating Temperature	130 °C
Set Point	30°C - 50°C
Thermocouple	Type T
Temperature Controller	Optional add-on
Input Power	120 VAC, 60 Hz
Warranty	1 year
ECCN	EAR99



Transmission versus Frequency for 5-inch Iodine Cell at a range of cold-finger (vapor pressure) set points.

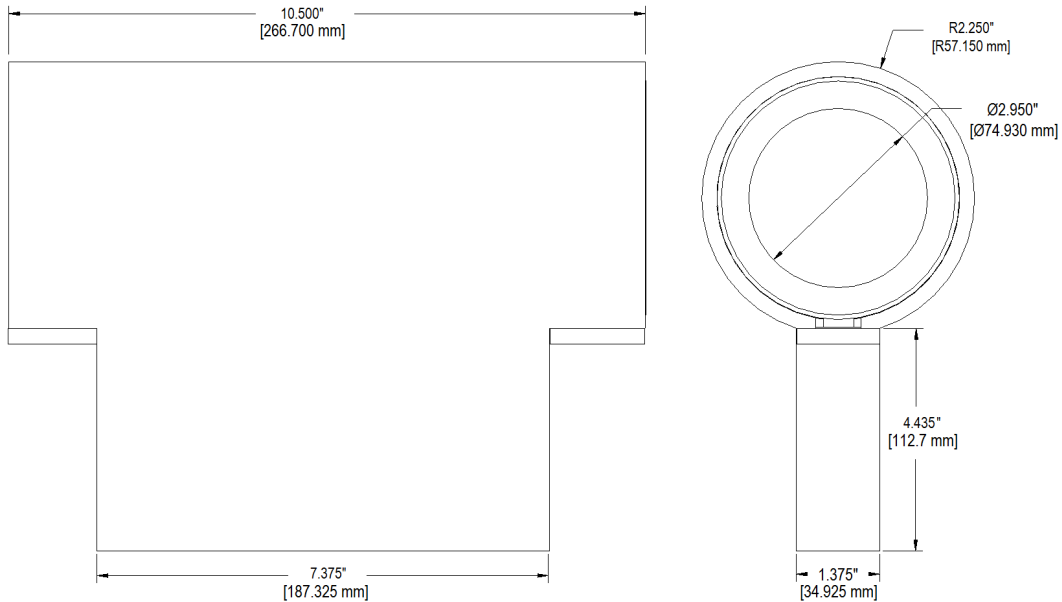
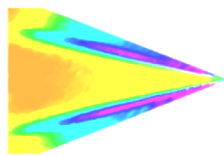


Profile of I2M-10 Cell Manifold

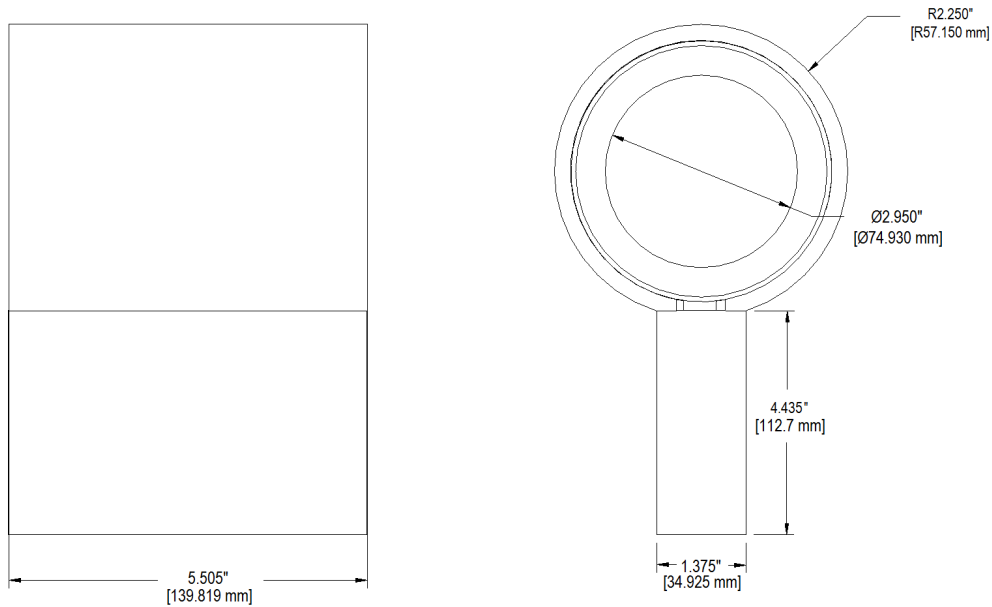
Innovative Scientific Solutions, Inc.
7610 McEwen Road, Dayton, OH 45459
Phone (937) 630-3012, Fax (937) 630-3015

email: issi-sales@innsi.com
web: www.innsi.com

Any and all underlying information and technology contained in this document may be subject to U.S. export controls, including the Export Administration Act (50 U.S.C. 56 §§ 4601-4623) and the Export Administration Regulations ("EAR", 15 CFR Parts 730-774) and may be subject to export or import regulations in other countries. You are responsible for complying with all trade regulations and laws both foreign and domestic. Except as authorized by law or distributor agreement with ISSI, you agree and warrant not to export or re-export this information to any country, or to any person, entity, or end-user subject to U.S. export controls, including without limitation persons or entities listed on the U.S. Department of Commerce Bureau of Industry and Security's Entity List, Denied Person List, and Unverified List and the U.S. Department of Treasury's Specially Designated Nationals. You further represent and warrant that no U.S. federal agency has suspended, revoked, or denied your export privileges.



I2M-10



I2M-5