

EF Zoom Control

EF Zoom Lens Controller

LC-PZA2-E

The EF Zoom Lens Controller is designed to operate EF zoom lenses, giving full control of the zoom, focus and aperture of a lens. The controller is designed to operate Canon® EF, EF-S and L series IS auto focus lenses as well as Sigma® and Tamron® EF lenses. Commands for the controller can be written into existing software for both Windows and Linux via API commands. The controller pairs with a LC-2A adapter to connect to a variety of camera mounts.



SPECIFICATIONS

AC Power Input (Using Supplied Wall Adapter)	100-240 V, 50-60Hz
DC Input	12VDC, 1.5 A
Operating Temperature	2-60 °C
Interface	10/100 Mbps Ethernet (RJ45)
Lens Adapter	c, M42, T, M58 (customization available) – Sold Separately
Lens inputs	1
Presets	Programmable
Software	Windows GUI, ASCII
ECCN	EAR99

FEATURES

Remotely control Canon®, Sigma® and Tamron® EF/EF-S auto focus (AF) lenses on any camera

Accurate and repeatable control of Zoom, Focus, and Aperture (Iris)

Image stabilization control (IS for Canon®, OS for Sigma® and VC for Tamron®)

Auto-detection of attached lens and F-number stops with included lens adapter

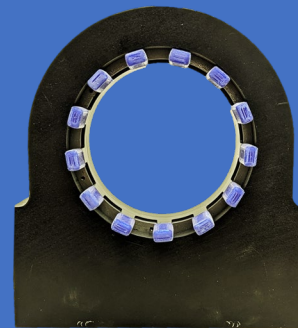
Lens drift compensation

Auto-detection of zoom range and position (for zoom lens)

10/100 Mbps Ethernet Interface

Programmable preset capability to easily store and recall saved zoom/focus/aperture positions on the lens

c-, M42-, T-, M58 and custom mount options available to connect to a camera

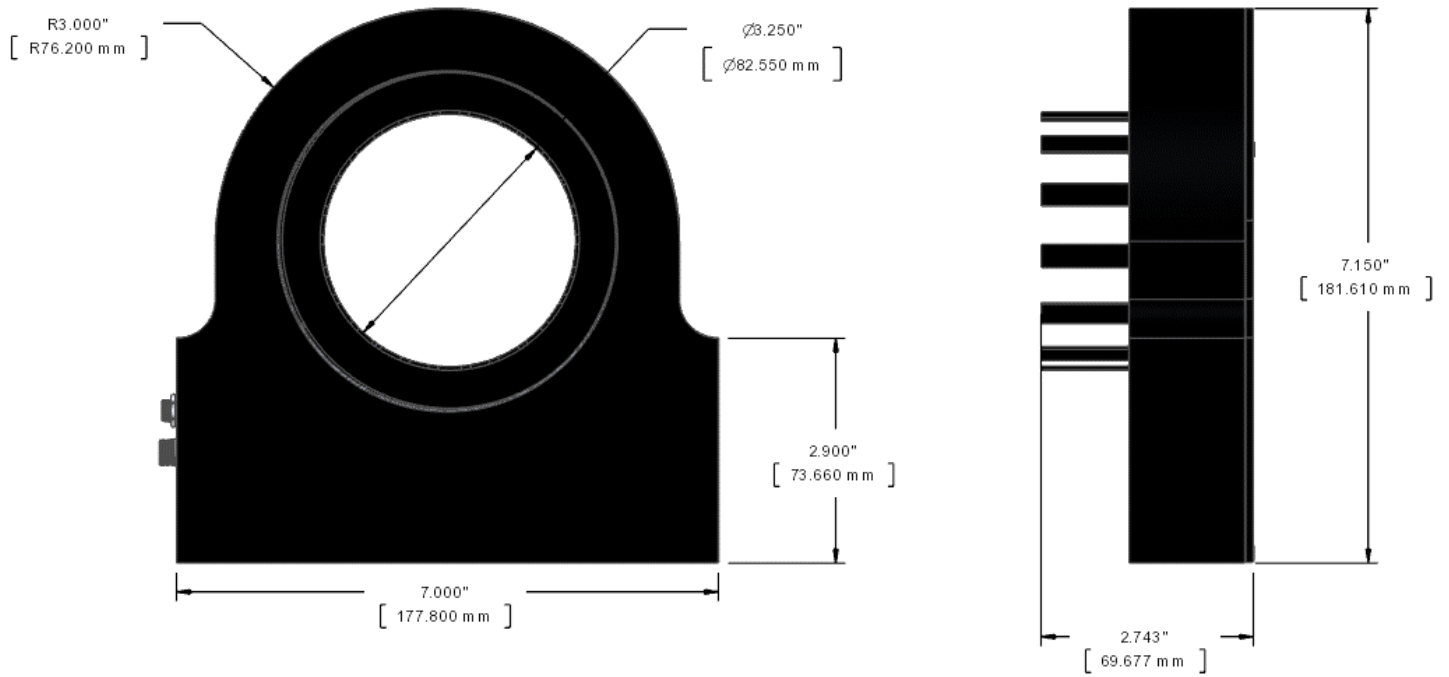


ISSI
INNOVATIVE SCIENTIFIC SOLUTIONS, INC



SCAN ME

EF Zoom Control



LC-PZA2-E (Shown with Smaller Lens Grip – Larger Grip can accommodate 4.0" (101.6mm))