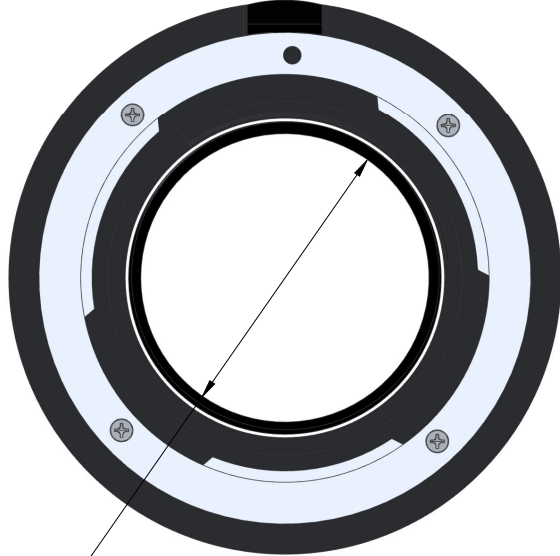
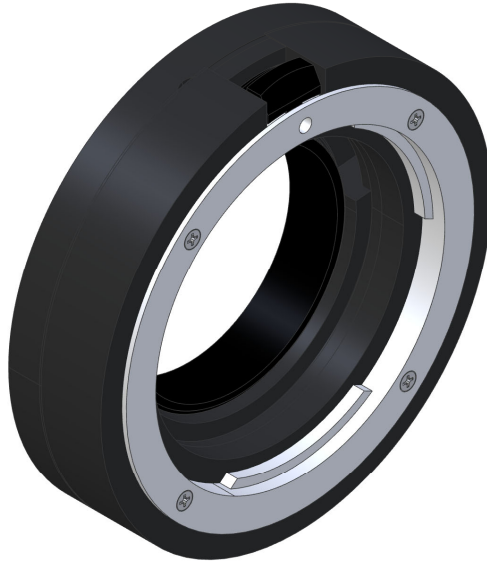
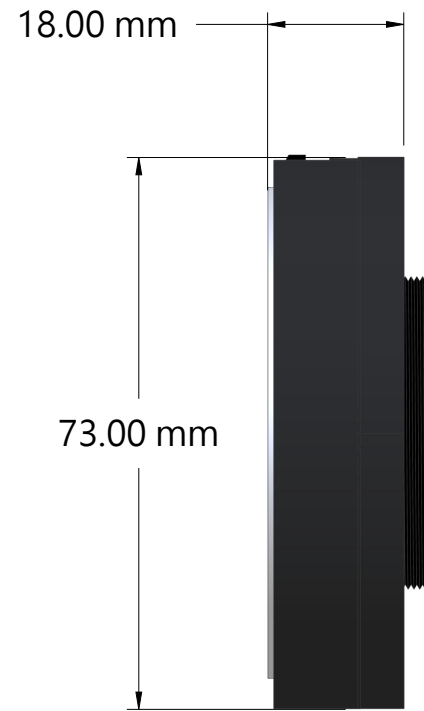




REVISIONS				
ZONE	REV	DESCRIPTION	DATE	APPROVED



Ø38.10 mm



UNLESS OTHERWISE SPECIFIED
 DIMENSIONS ARE IN INCHES
 TOLERANCES:
 ANGLES ± +/- 1.0°
 DECIMALS
 X.X 0.1"
 X.XX 0.01"
 X.XXX 0.005"

Mount: Male M42 x 0.75 Thread

DRAWN	DATE
S. Palluconi	6.17.2022
CHECKED	
QA	
MFG	
APPROVED	

LC-2A-T18			
Innovative Scientific Solutions, Inc. 7610 McEwen Road Dayton, OH 45459 Ph: (937) 630-3012 https://innssi.com			
SIZE	FSCM NO.	DWG NO.	REV
A			
SCALE	1:1	SHEET	1 OF 1

