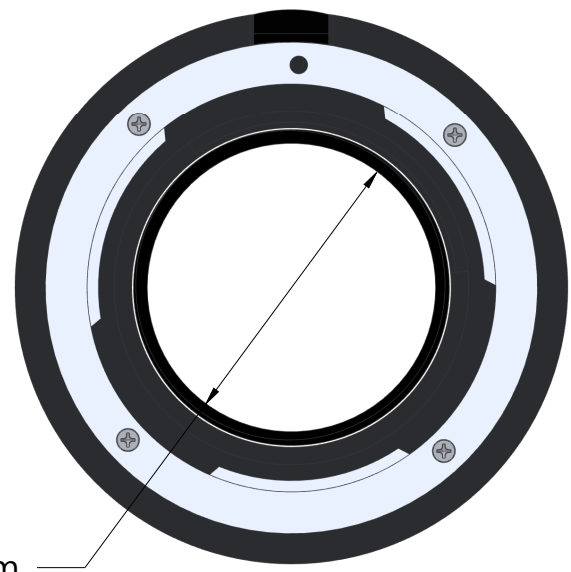
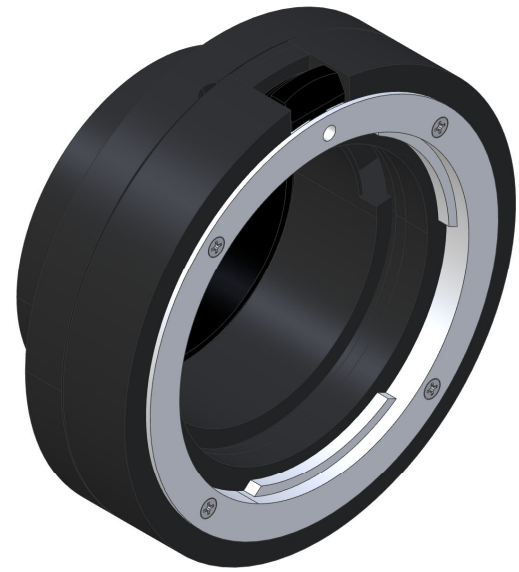


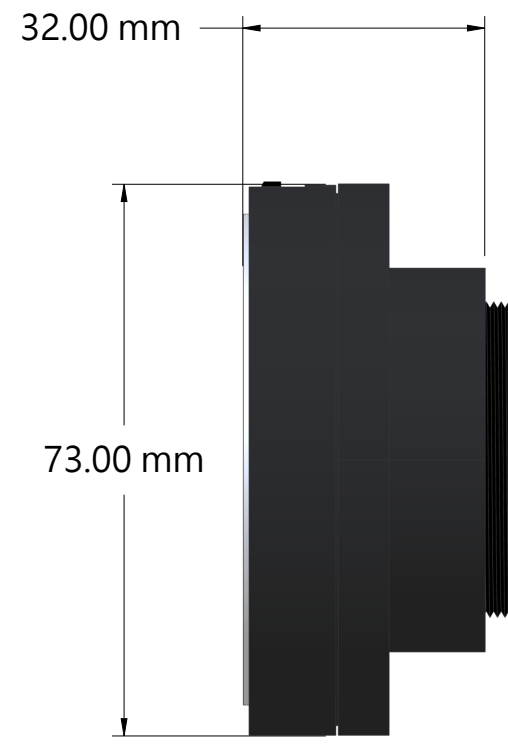


REVISIONS

ZONE	REV	DESCRIPTION	DATE	APPROVED
------	-----	-------------	------	----------



Ø38.10 mm



UNLESS OTHERWISE SPECIFIED
 DIMENSIONS ARE IN INCHES
 TOLERANCES:
 ANGLES ± +/- 1.0°
 DECIMALS
 X.X 0.1"
 X.XX 0.01"
 X.XXX 0.005"

Mount: M42 x 1.0 Male Thread

DRAWN S. Palluconi	DATE 6.17.2022
CHECKED	
QA	
MFG	
APPROVED	

LC-2A-M42

Innovative Scientific Solutions, Inc.
 7610 McEwen Road
 Dayton, OH 45459
 Ph: (937) 630-3012
<https://innssi.com>

SIZE A	FSCM NO.	DWG NO.	REV
SCALE 1:1	SHEET 1 OF 1		

