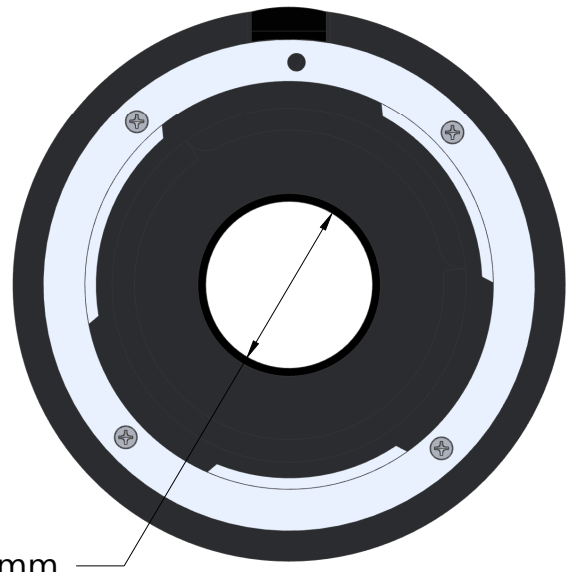
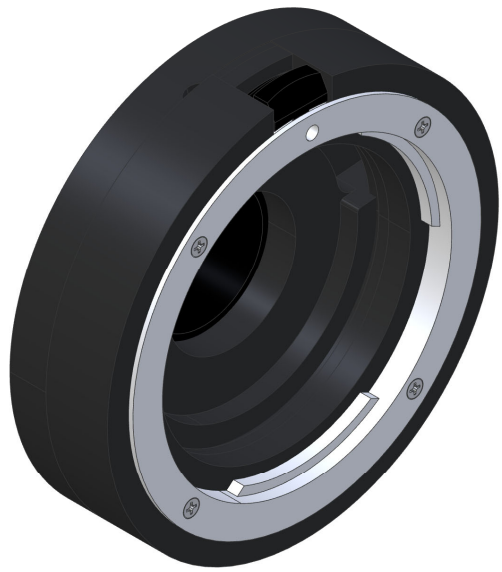
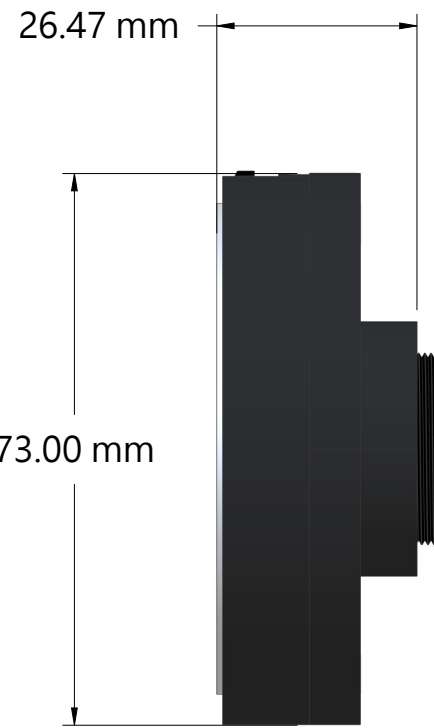




REVISIONS				
ZONE	REV	DESCRIPTION	DATE	APPROVED



Ø22.05 mm



UNLESS OTHERWISE SPECIFIED  
 DIMENSIONS ARE IN INCHES  
 TOLERANCES:  
 ANGLES ± +/- 1.0°  
 DECIMALS  
 X.X 0.1"  
 X.XX 0.01"  
 X.XXX 0.005"

Mount: Male C Mount Thread

DRAWN S. Palluconi	DATE 6.17.2022
CHECKED	
QA	
MFG	
APPROVED	

<b>LC-2A-C</b>			
<b>Innovative Scientific Solutions, Inc.</b> 7610 McEwen Road      Ph: (937) 630-3012 Dayton, OH 45459 <a href="https://innssi.com">https://innssi.com</a>			
SIZE <b>A</b>	FSCM NO.	DWG NO.	REV
SCALE 1:1	SHEET 1 OF 1		

