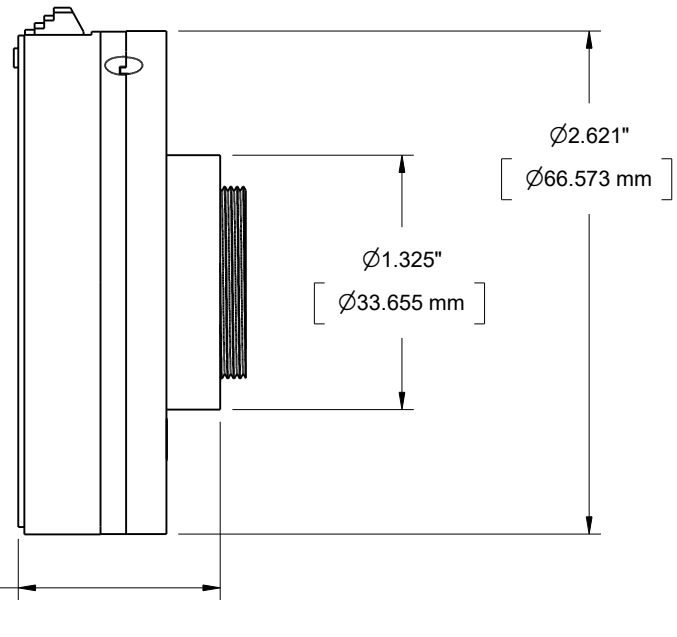
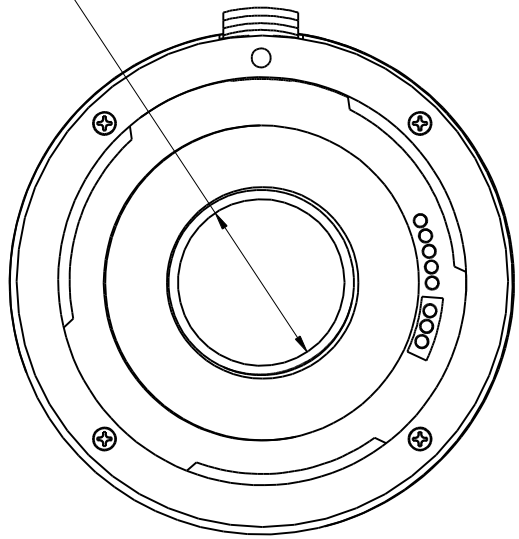




REVISIONS				
ZONE	REV	DESCRIPTION	DATE	APPROVED

Ø.868"
[Ø22.047 mm]



UNLESS OTHERWISE SPECIFIED
DIMENSIONS ARE IN INCHES
TOLERANCES:
ANGLES ± +/- 1.0°
DECIMALS
X.X 0.1"
X.XX 0.01"
X.XXX 0.005"

DRAWN	DATE	<p style="text-align: center;">LC-2A-C</p> <p style="text-align: center;">Innovative Scientific Solutions, Inc. 7610 McEwen Road Ph: (937) 630-3012 Dayton, OH 45459 https://innssi.com</p>												
CHECKED														
QA														
MFG														
APPROVED		<table border="1"> <tr> <td>SIZE</td> <td>FSCM NO.</td> <td>DWG NO.</td> <td>REV</td> </tr> <tr> <td>A</td> <td></td> <td>LC-2A-C</td> <td></td> </tr> <tr> <td>SCALE</td> <td>1:1</td> <td>SHEET</td> <td>1 OF 1</td> </tr> </table>	SIZE	FSCM NO.	DWG NO.	REV	A		LC-2A-C		SCALE	1:1	SHEET	1 OF 1
SIZE	FSCM NO.	DWG NO.	REV											
A		LC-2A-C												
SCALE	1:1	SHEET	1 OF 1											

