

EF Lens Control



EF Lens Controller

Control Box: LC-2

Lens Adapters: LC-2A-

Add EF/EF-S lens control to any camera. The EF Lens Controller is designed to operate the motorized features of most Canon® (USM), Sigma® (HSM) and Tamron® (USD) EF/EF-S lenses including L series and both APS-C and full-frame models with and without image stabilization. A control box (LC-2) houses the control board and an Ethernet interface allowing the device to be operated over long distances. A separate adapter (LC-2A-) connects the lens to the control box via a cable and locking connector.



SPECIFICATIONS

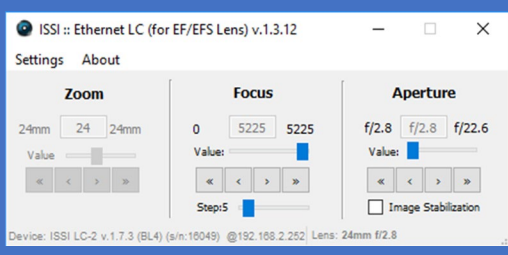
AC Power Input (Using Supplied Wall Adapter)	100-240 V, 50-60Hz
DC Input	6.0VDC, 1.5A
Operating Temperature	2-60 °C
Interface	10/100 Mbps Ethernet
Lens Adapter	c, M42, T, M58 (customization available)
Lens inputs	1
Presets	Programmable
Software	Windows GUI, TCP/IP API
ECCN	EAR99

FEATURES

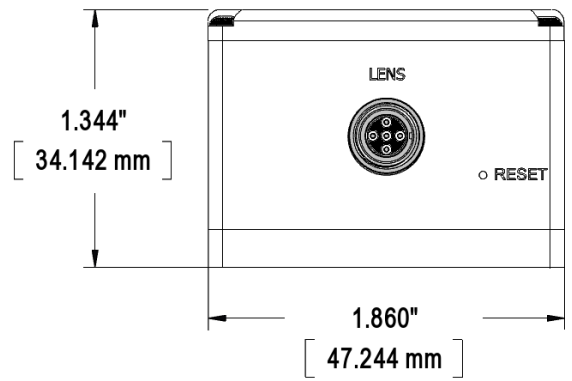
- Accurate and repeatable control of Focus, and Aperture (Iris)
- Read current zoom position (for zoom lens)
- Image stabilization control (IS for Canon®, OS for Sigma® and VC for Tamron®)



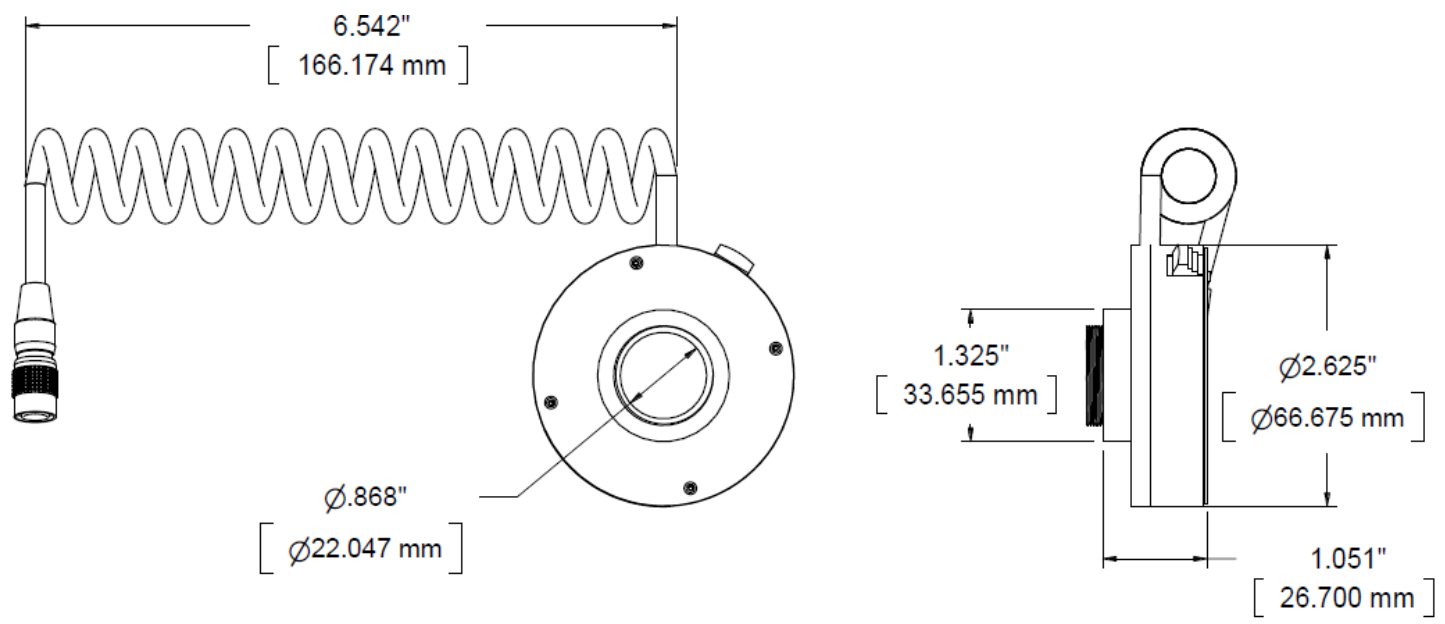
- Auto-detection of attached lens and F-number stops with included lens adapter
- Lens drift compensation
- 10/100 Mbps Ethernet Interface
- Simple software interface, ASCII-based API commands for integration with LabView & Python
- Programmable preset capability to easily store and recall saved focus/aperture positions on the lens



EF Lens Control



Control Box (LC-2)



Lens Adapter (LC-2A-C)

(See separate PDFs for other adapters)