

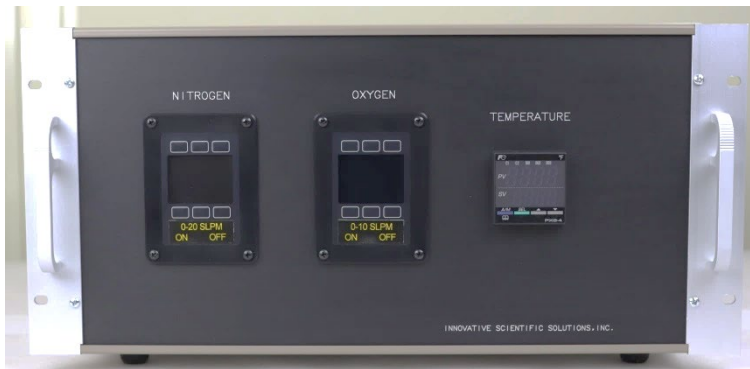
## PSP/TSP Calibration System

(Product ID: CAL-04, CTC-04)

The ISSI calibration system is a multi-function system designed for controlling the mass-flow of two gases and temperature within a cell. This new evolution of ISSI's pressure and temperature sensitive paint calibration system utilizes a gas flow design whereby the nitrogen to oxygen mass flow ratio is controlled to simulate pressure without the noise and complexity of the diaphragm pump.



<b>Accurate</b>	Accurately control oxygen and nitrogen concentration	Simulated pressures from 0-4.0 bar
<b>Control</b>	Software control of the system via user interface	Runs through parameters automatically
<b>Networking</b>	Can be connected and simultaneously controlled over a network	10/100 Mbps Ethernet
<b>Versatility</b>	Can be configured to use with a variety of gases	Acts as a trigger source for all calibration hardware



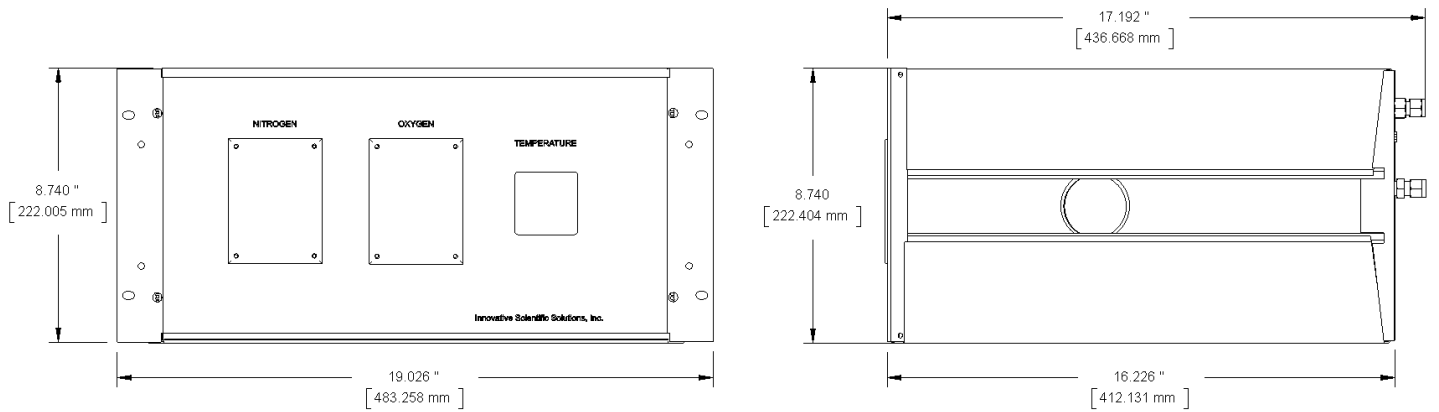
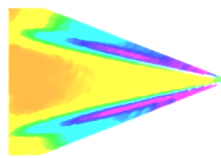
**Control Box (CAL-04)**



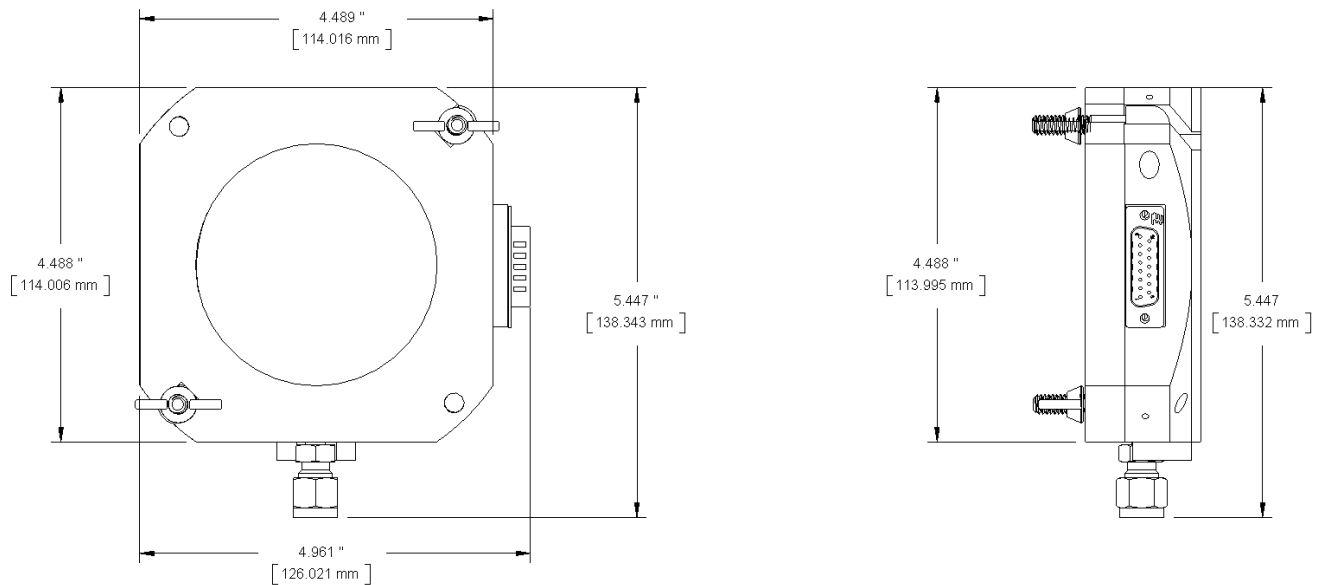
**Cell (CTC-04)**

### SPECIFICATIONS

<b>Power</b>	100-240 V, 50-60Hz
<b>Pressure Range</b>	0.0 - 4.0 bar
<b>Temperature Range</b>	0 - 70 °C
<b>Interface</b>	10/100 Mbps Ethernet
<b>Pressure Accuracy</b>	0.5% of full scale
<b>Temperature Accuracy</b>	0.1 °C
<b>Trigger Input/Output</b>	TTL
<b>Software</b>	PT Control
<b>Warranty</b>	1 year limited
<b>ECCN</b>	EAR99



**CAL-04 Control Box**



**CTC-04 Calibration Cell**