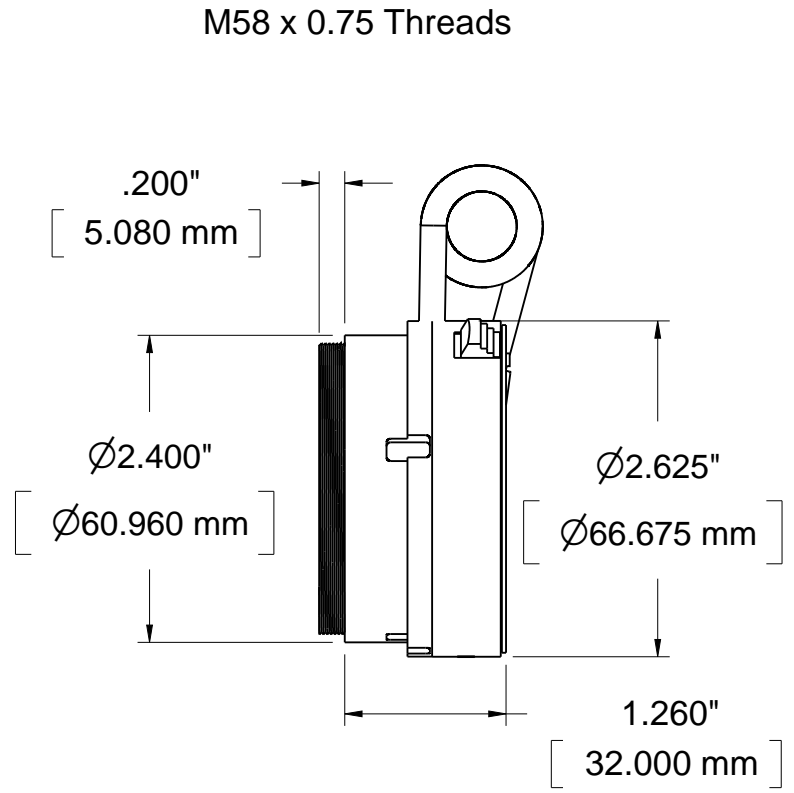
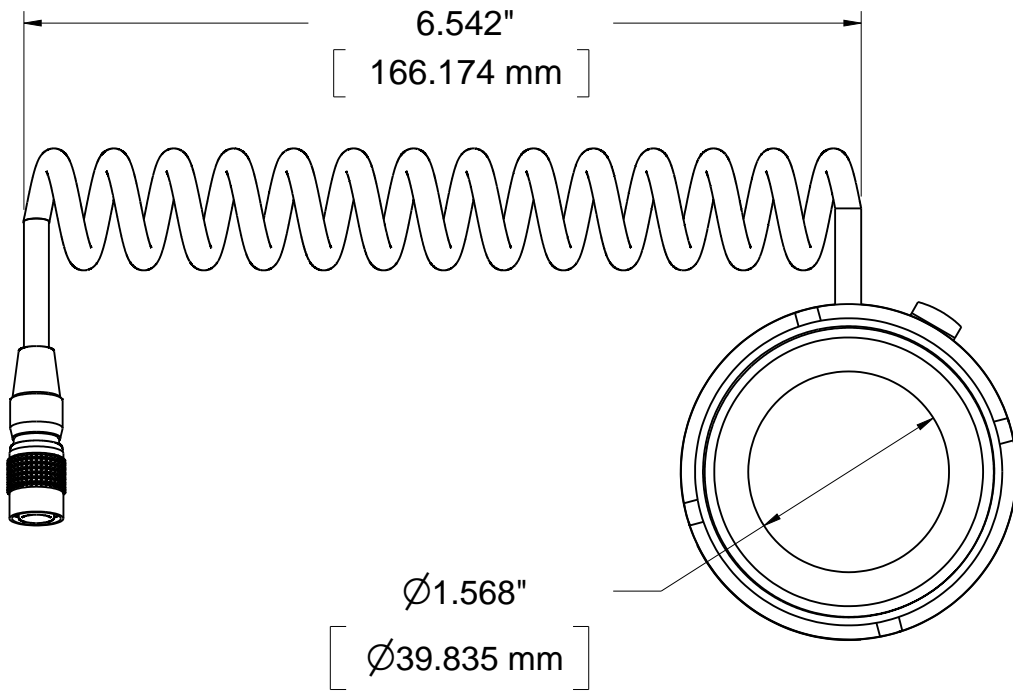


REVISIONS				
ZONE	REV	DESCRIPTION	DATE	APPROVED



UNLESS OTHERWISE SPECIFIED DIMENSIONS ARE IN INCHES TOLERANCES: ANGLES ± +/- 1.0° DECIMALS X.X 0.1" X.XX 0.01" X.XXX 0.005"	DRAWN	DATE	<h2>Lens Control Adapter for M58x0.75</h2> <p>Innovative Scientific Solutions, Inc. 7610 McEwen Road Dayton, OH 45459 Ph: (937) 630-3012 www.psp-tsp.com</p>			
	S. Palluconi	12.15.17				
	CHECKED		SIZE	FSCM NO.	DWG NO.	REV
	QA		A		LC-2A-M58-75	
MFG		SCALE	1:1.5		SHEET	
APPROVED						